

Amana[®]

Tandem

FRONT-LOADING AUTOMATIC WASHER USE & CARE GUIDE

LAVEUSE AUTOMATIQUE À CHARGEMENT FRONTAL GUIDE D'UTILISATION ET D'ENTRETIEN

Para una versión de estas instrucciones en español, visite www.amana.com

Table of Contents

WASHER SAFETY	2
CONTROL PANEL AND FEATURES	3
CYCLE GUIDE	4
USING YOUR WASHER	5
WASHER MAINTENANCE	8
TROUBLESHOOTING	10
WARRANTY	17
ASSISTANCE OR SERVICE	Back Cover

Table des matières

SÉCURITÉ DE LA LAVEUSE	18
TABLEAU DE COMMANDE ET CARACTÉRISTIQUES	19
GUIDE DE PROGRAMMES	20
UTILISATION DE LA LAVEUSE	21
ENTRETIEN DE LA LAVEUSE	24
DÉPANNAGE	27
GARANTIE	35
ASSISTANCE OU SERVICE	Couverture arrière

WASHER SAFETY

Your safety and the safety of others are very important.

We have provided many important safety messages in this manual and on your appliance. Always read and obey all safety messages.



This is the safety alert symbol.

This symbol alerts you to potential hazards that can kill or hurt you and others.

All safety messages will follow the safety alert symbol and either the word "DANGER" or "WARNING."

These words mean:

⚠ DANGER

You can be killed or seriously injured if you don't immediately follow instructions.

⚠ WARNING

You can be killed or seriously injured if you don't follow instructions.

All safety messages will tell you what the potential hazard is, tell you how to reduce the chance of injury, and tell you what can happen if the instructions are not followed.

IMPORTANT SAFETY INSTRUCTIONS

WARNING: To reduce the risk of fire, electric shock, or injury to persons when using the washer, follow basic precautions, including the following:

- Read all instructions before using the washer.
- Do not wash articles that have been previously cleaned in, washed in, soaked in, or spotted with gasoline, dry-cleaning solvents, other flammable, or explosive substances as they give off vapors that could ignite or explode.
- Do not add gasoline, dry-cleaning solvents, or other flammable, or explosive substances to the wash water. These substances give off vapors that could ignite or explode.
- Under certain conditions, hydrogen gas may be produced in a hot water system that has not been used for 2 weeks or more. **HYDROGEN GAS IS EXPLOSIVE.** If the hot water system has not been used for such a period, before using the washing machine, turn on all hot water faucets and let the water flow from each for several minutes. This will release any accumulated hydrogen gas. As the gas is flammable, do not smoke or use an open flame during this time.
- Do not allow children to play on or in the washer. Close supervision of children is necessary when the washer is used near children.
- Before the washer is removed from service or discarded, remove the door or lid.
- Do not reach into the washer if the drum, tub or agitator is moving.
- Do not install or store the washer where it will be exposed to the weather.
- Do not tamper with controls.
- Do not repair or replace any part of the washer or attempt any servicing unless specifically recommended in this manual or in published user-repair instructions that you understand and have the skills to carry out.
- See "Electrical Requirements" located in the installation instructions for grounding instructions.

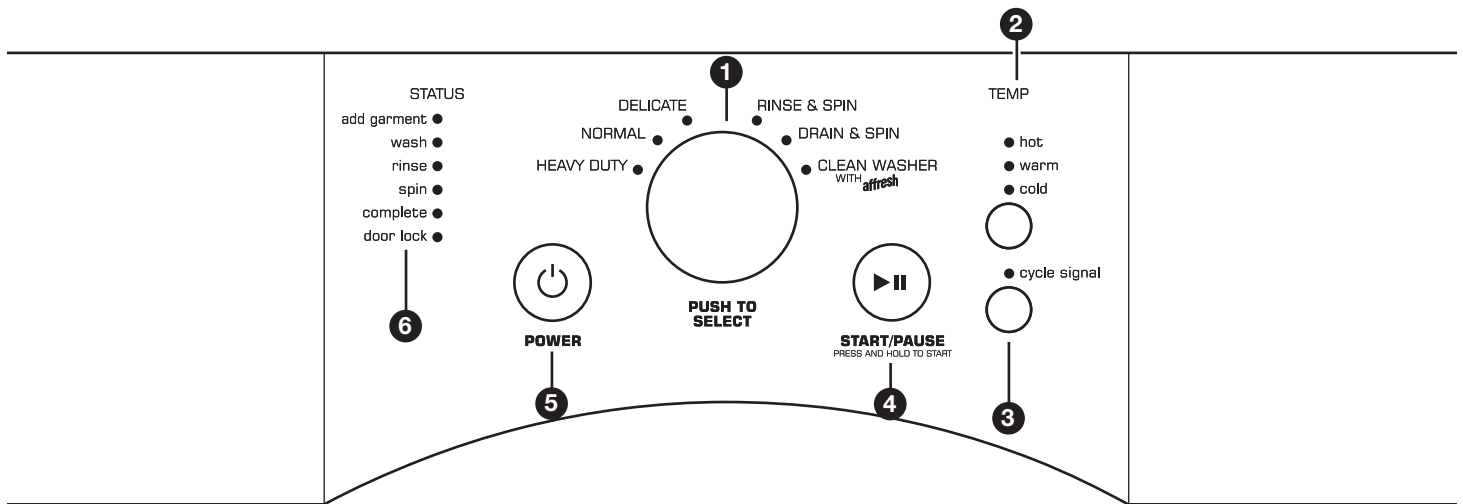
SAVE THESE INSTRUCTIONS

State of California Proposition 65 Warnings:

WARNING: This product contains one or more chemicals known to the State of California to cause cancer.

WARNING: This product contains one or more chemicals known to the State of California to cause birth defects or other reproductive harm.

CONTROL PANEL AND FEATURES



Not all features and options are available on all models.
Appearance may vary.

1 WASH CYCLE KNOB

Turn the Wash Cycle knob to select a cycle for your laundry load. See “Cycle Guide” for detailed descriptions of cycles that best suit your load.

2 TEMP

Temperature Control senses and maintains uniform water temperatures by regulating incoming hot and cold water.

Select a wash temperature based on the type of fabric and soils being washed. For best results and following the garment label instructions, use the warmest wash water safe for your fabric.

- Warm and hot water will be cooler than what your previous washer provided.
- Even in a cold water wash, some warm water may be added to the washer to maintain a minimum temperature.

3 CYCLE SIGNAL

This cycle signal is helpful when you are removing items from the washer as soon as it stops. Select ON or OFF.

4 START/PAUSE BUTTON

Press and hold to start a cycle, or press once while a cycle is in process to pause and press again to continue the cycle. If you do not press START/PAUSE within 5 minutes of choosing a cycle, the washer automatically shuts off.

5 POWER BUTTON

Press to turn the washer on and off. Press again to STOP/CANCEL a cycle at any time.

6 STATUS INDICATORS

The Status Indicators show the progress of a cycle. At each stage of the process, you may notice sounds or pauses that are different from traditional washers.

ADD GARMENT

When Add Garment is lit, you may pause the washer, open the door, and add 2 or 3 additional items.

WASH

This is the main portion of the wash cycle. You will see the washer tumble the load. The motor sounds may change at different stages in the cycle. The wash time is determined by the selected cycle, along with your load size.

RINSE

You will hear sounds similar to the wash cycle as the washer rinses and moves the load.

SPIN

The washer spins the load at increasing speeds for proper water removal, based on the selected cycle and spin speed.

COMPLETE

Once the cycle is complete, this light will come on. Remove the load promptly for best results.

DOOR LOCK

The Door Lock avoids unintended use of the washer. When Door Lock is lit, all buttons are disabled except for Start/Pause, Power, and Cycle Signal.

CYCLE GUIDE

For best fabric care, choose the cycle that best fits the load being washed.
Not all cycles and options are available on all models.

Items to wash:	Cycle:	Temp*:	Spin Speed:	Cycle Details:
Sturdy fabrics, colorfast items, towels, jeans	Heavy Duty	Hot Warm Cold	High	Use this cycle for heavily soiled or sturdy items. This cycle combines fast-speed tumbling, longer wash time, and high-speed spin to shorten drying times.
Cottons, linens, sheets, and mixed garment loads	Normal	Hot Warm Cold	High	Use this cycle for normally soiled cottons and mixed fabric loads. This cycle combines medium-speed tumbling, high-speed spin, and a load cooling process to reduce wrinkling.
Machine-wash silks, lingerie, washable wools	Delicate	Hot Warm Cold	Low	Use this cycle to wash lightly soiled garments indicating "Machine Washable Silks" or "Gentle" cycle on the care label. Place small items in mesh garment bags before washing.
Swimsuits and items requiring rinsing without detergent	Rinse & Spin	Cold	High	Combines a rinse and high-speed spin for loads requiring an additional rinse cycle or to complete a load after power interruption. Also use for loads that require rinsing only.
Dripping wet or hand-washed items	Drain & Spin	N/A	High	This cycle uses a spin to shorten drying times for heavy fabrics or special-care items washed by hand. Use this cycle to drain washer after cancelling a cycle or completing a cycle after a power failure.
No clothes in washer	Clean Washer with Affresh®	N/A	High	Use monthly with Affresh® washer cleaner to clean the interior of the washer. Make sure no clothes are in washer.

*All rinses are cold.

USING YOUR WASHER

⚠ WARNING



Fire Hazard

Never place items in the washer that are dampened with gasoline or other flammable fluids.

No washer can completely remove oil.

Do not dry anything that has ever had any type of oil on it (including cooking oils).

Doing so can result in death, explosion, or fire.

⚠ WARNING



Electrical Shock Hazard

Plug into a grounded 3 prong outlet.

Do not remove ground prong.

Do not use an adapter.

Do not use an extension cord.

Failure to follow these instructions can result in death, fire, or electrical shock.

Choosing the Right Detergent

Use only High Efficiency detergents. The package will be marked "HE" or "High Efficiency." Low-water washing creates excessive sudsing with a regular non-HE detergent. Using regular detergent will likely result in longer cycle times and reduced rinsing performance. It may also result in component failure and, over time, build-up of mold or mildew. HE detergents are made to produce the right amount of suds for the best performance. Follow the manufacturer's instructions to determine the amount of detergent to use.

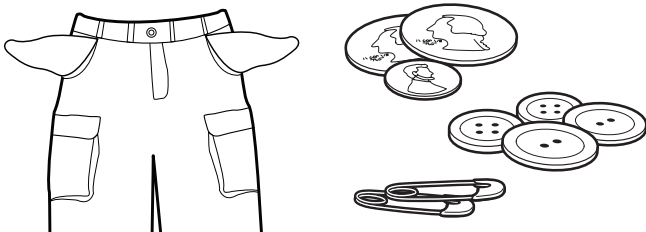


Use only High Efficiency (HE) detergent.

First wash cycle without laundry

Before washing clothes for the first time, if not completed during the final installation step, choose the Normal cycle and run it without clothes. Use only HE detergent. Use 1/2 the manufacturer's recommended amount for a medium-size load. This initial cycle serves to ensure the interior is clean before washing clothes.

1. Sort and prepare your laundry

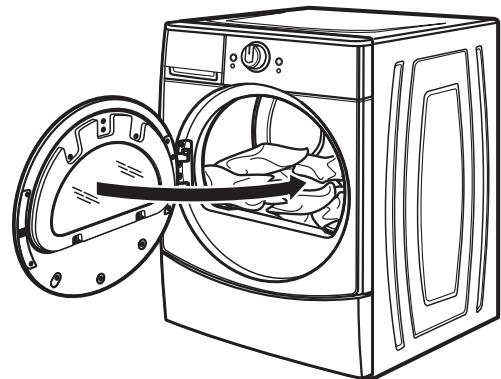


Sort items by recommended cycle, water temperature, and colorfastness. Separate heavily soiled items from lightly soiled. Separate delicate items from sturdy fabrics. Treat stains promptly and check for colorfastness by testing stain remover products on an inside seam.

IMPORTANT:

- Empty pockets. Loose change, buttons, or any small object can plug pumps and may require a service call.
- Close zippers, fasten hooks, tie strings and sashes, and remove non-washable trim and ornaments.
- Mend rips and tears to avoid further damage to items during washing.
- Turn knits inside out to prevent pilling. Separate lint-takers from lint-givers. Synthetics, knits, and corduroy fabrics will pick up lint from towels, rugs, and chenille fabrics.
- Do not dry garments if stains remain after washing, because heat can set stains into fabric.
- Always read and follow fabric care labels and laundry product instructions. Improper usage may cause damage to your garments.

2. Load laundry into washer



Open the washer door. Place a load of sorted clothes loosely in the washer. Items need to move freely for best cleaning and to reduce wrinkling and tangling. Close the washer door by pushing it firmly until the latch clicks.

- Depending on load type and cycle, the washer can be fully loaded, but not tightly packed. Washer door should close easily. See "Cycle Guide" for loading suggestions.
- Mix large and small items and avoid washing single items. Load evenly.
- Wash small items in mesh garment bags. For multiple items, use more than one bag and fill bags equally.

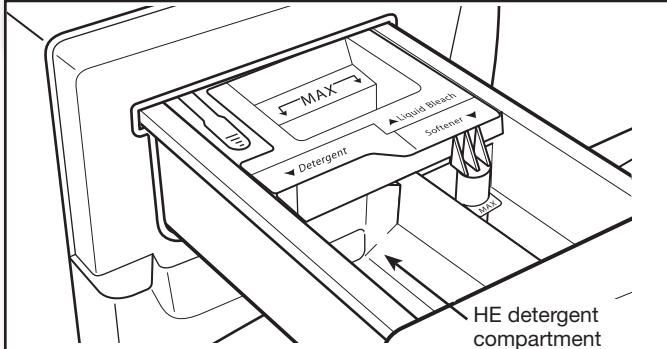
Using the Dispenser

To use the dispenser drawer:

1. Open the dispenser drawer.
2. Add laundry products as described in steps 3–5.
3. Slowly close the dispenser drawer. Make sure it is completely closed.

NOTE: A small amount of water may remain in the dispensers from the previous wash cycle. This is normal.

3. Add HE detergent to dispenser



Add liquid or powdered HE detergent to this compartment.

Color-safe bleach or oxi products may be added to this compartment along with the same type of detergents.

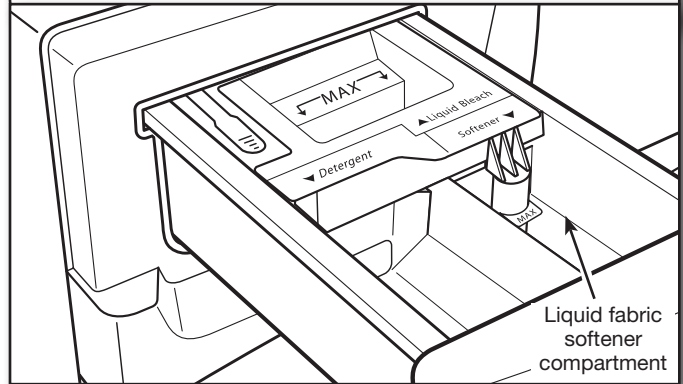
NOTE: Do not mix powdered products with liquid ones.

Do not overfill; adding too much detergent may cause detergent to be dispensed into the washer too early.



Use only High Efficiency (HE) detergent.

4. Add fabric softener to dispenser (if desired)



Pour a measured amount of liquid fabric softener into liquid fabric softener compartment. Always follow manufacturer's directions for correct amount of fabric softener based on your load size.

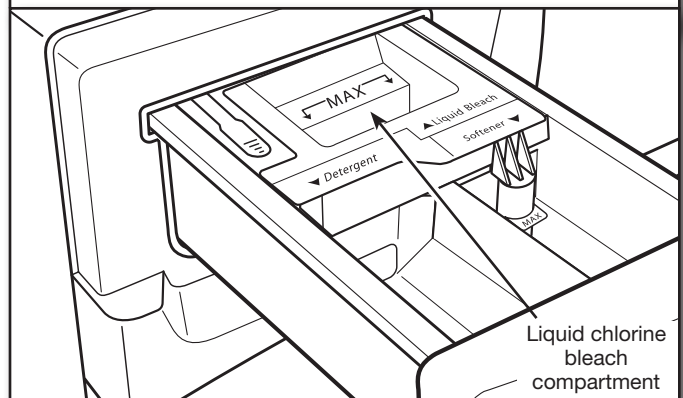
Fabric softener is always dispensed in the final rinse.

IMPORTANT: Do not overfill, dilute, or use more than 1/4 cup (60 mL) of fabric softener. Do not fill past the MAX line.

Overfilling dispenser will cause fabric softener to immediately dispense into washer.

- Do not spill or drip any fabric softener onto the clothes.
- Do not use liquid fabric softener dispenser balls in this washer. They will not dispense correctly.

5. Add liquid chlorine bleach to dispenser (if desired)



Add a measured amount of liquid chlorine bleach to the bleach compartment. Do not overfill, dilute, or use more than 2/3 cup (165 mL). Use a measuring cup with a pour spout; do not guess.

- Do not fill beyond the "MAX" level. Overfilling will cause bleach to dispense too soon and may cause garment damage.
- Do not add color-safe bleach or oxi-product to this dispenser.

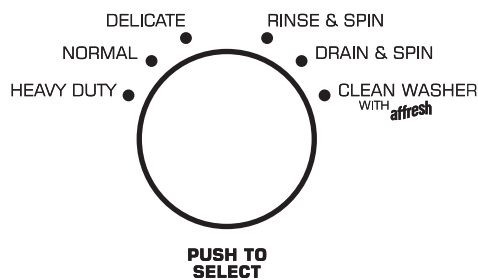
6. Press POWER to turn on washer



POWER

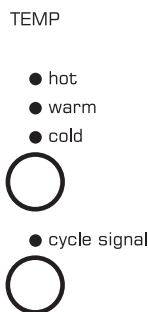
Slowly close the dispenser drawer. Make sure the drawer is closed completely, then press and hold POWER to turn on the washer. To cancel a cycle press POWER, then the washer powers down, the door unlocks, and clothes can be removed.

7. Select CYCLE



Turn cycle knob to select your wash cycle. See “Cycle Guide” for details on cycle features. Not all options are available on all cycles.

8. Select additional options, if desired



To add additional options to the cycle, press the button for the desired option until light glows to add them to the selected cycle.

NOTE: Not all options are available with all cycles. See “Cycle Guide” for available options.

9. Press and hold START/PAUSE to begin wash cycle



START/PAUSE
PRESS AND HOLD TO START

Press and hold the START/PAUSE button to start the wash cycle. To pause a cycle in progress, press the START/PAUSE button once, then press and hold again to continue the cycle. To cancel a cycle, press the POWER button.

Door Locked

Once you press and hold START/PAUSE, you will hear the door lock, unlock, and lock again. When the door locked light illuminates, the door is locked. The door is locked and unlocked automatically, depending on the stage of the wash cycle.

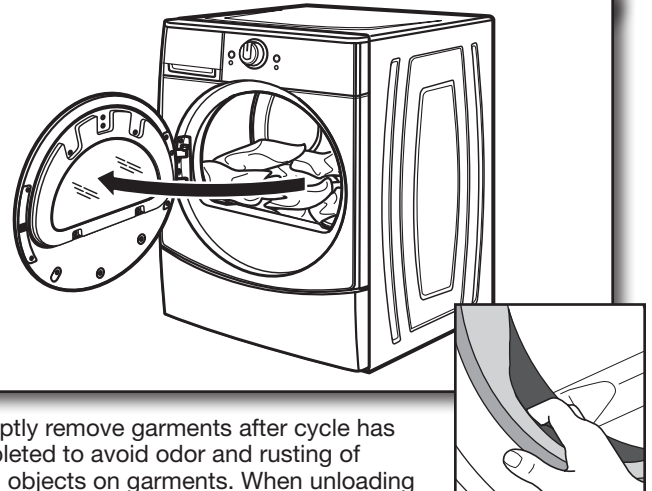
Unlocking the door to add garments:

If you need to open the door to add 1 or 2 missed garments, you may do so while the “Add Garment” light is lit.

Press START/PAUSE once; the door will unlock once the washer movement has stopped. This may take several minutes. Then close door and press START/PAUSE again to continue the cycle.

To add garments after the “Add Garment” period is over, the wash cycle needs to be canceled, the items added, and a new wash cycle started.

10. Remove garments promptly after cycle is finished



Promptly remove garments after cycle has completed to avoid odor and rusting of metal objects on garments. When unloading garments, pull back the door seal and check for small items between the tub and the basket.

NOTE:

- After any wash cycle is completed, the door must be opened and then closed before a new cycle can begin.
- A small amount of water may remain in the dispensers after the wash cycle is complete. This is normal.
- This washer has a tight seal to avoid water leaks. To avoid odors, leave the door open to allow the washer to dry between uses.

WASHER MAINTENANCE

CLEANING YOUR WASHER

Keep your washer as clean and fresh as your clothes. To keep washer interior odor-free, follow this recommended cleaning procedure at least once a month:

1. Make sure laundry drum is empty.
2. Using recommended Affresh® washer cleaner, add one tablet to washer basket
OR
If using liquid chlorine bleach, add 2/3 cup (160 mL) to liquid chlorine bleach dispenser.

IMPORTANT: Do not add detergent to Clean Washer with Affresh™ cycle. Do not use more than recommended amount of bleach to avoid damaging product over time.

3. Close washer door and dispenser drawer.
4. Select CLEAN WASHER with Affresh™ cycle.
5. Press and hold START/PAUSE.

NOTE: The basket will rotate, then the door will unlock, lock again, and then the cycle will continue. The washer will not fill, and the basket will rotate while the washer runs a short sensing cycle. This will take approximately 3 minutes.

6. The cycle will determine whether clothing or other items are in the washer. If no items are detected in the washer, it will proceed to Step 8.

If the Wash LED light flashes, the door will unlock. Remove clothing or items in the washer. Press POWER to cancel the flashing LED light. Then repeat steps 1, 2, and 6 to start the cycle again.

7. Once the cycle has started, allow cycle to complete.
8. After the cycle has ended, leave the door open slightly, to allow for better ventilation and drying of washer interior.

To clean exterior:

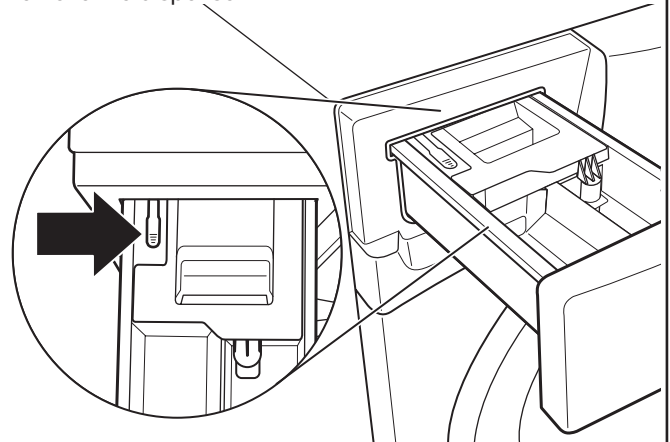
1. Use a soft, damp cloth or sponge to wipe up any spills.
2. Use mild soap and water if needed.

IMPORTANT: To avoid damaging washer finish, do not use abrasive products.

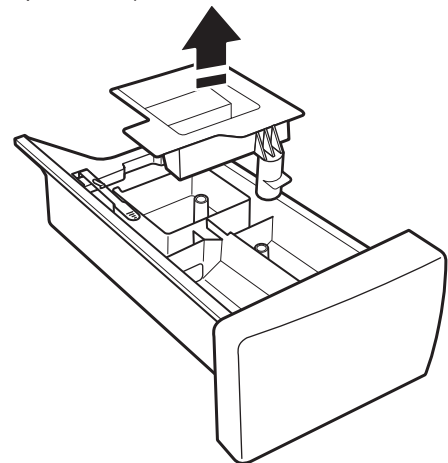
CLEANING THE DISPENSER

You may find laundry product residue leftover in your dispenser compartments. To remove residue, follow this recommended cleaning procedure:

1. Pull dispenser drawer out until it stops.
2. Press down on the release lever and pull straight out to remove the dispenser.

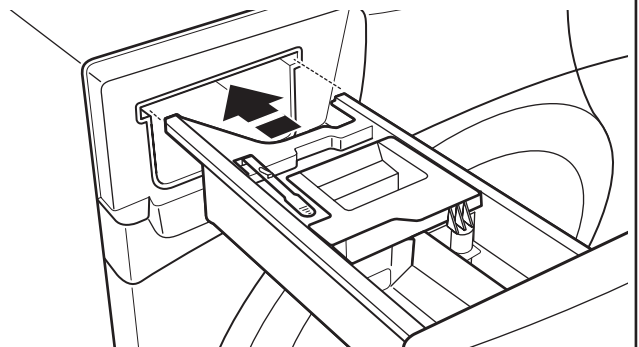


3. Remove the insert (the siphon from the softener and bleach compartments).



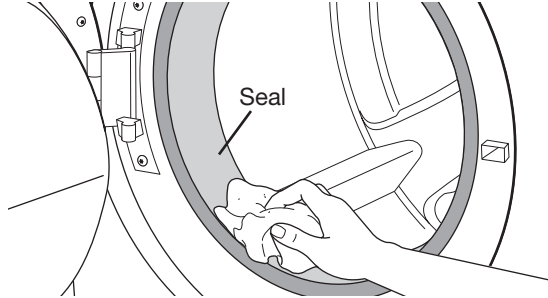
4. Wash dispenser and cover panel in warm, soapy water, using a mild detergent.
5. Rinse with warm water.
6. Air dry or wipe with a clean towel. Replace the insert.
7. Align edges of dispenser with guides in washer, then slide dispenser back into slot.

IMPORTANT: Dispenser is not dishwasher safe.



CLEANING THE DOOR SEAL

1. Open the washer door and remove any clothing or items from the washer.
2. Inspect the seal between the door opening and the basket for stained areas. Pull back the seal to inspect all areas under the seal and to check for foreign objects.



3. If stained areas are found, wipe down these areas of the seal, using the procedure that follows.
 - a) Mix a dilute solution, using 3/4 cup (177 mL) of liquid chlorine bleach, and 1 gal. (3.8 L) of warm tap water.
 - b) Wipe the seal area with the dilute solution, using a damp cloth.
 - c) Let stand 5 minutes.
 - d) Wipe down area thoroughly with a dry cloth and let the washer interior air dry with door open.

IMPORTANT: Wear rubber gloves when cleaning for prolonged periods. Refer to the bleach manufacturer's instructions for proper use.

NON-USE AND VACATION CARE

Operate your washer only when you are home. If moving, or not using your washer for a period of time, follow these steps:

1. Unplug or disconnect power to washer.
2. Turn off water supply to washer to avoid flooding due to water pressure surges.

WINTER STORAGE CARE

IMPORTANT: To avoid damage, install and store washer where it will not freeze. Because some water may stay in hoses, freezing can damage washer. If storing or moving during freezing weather, winterize your washer.

To winterize washer:

1. Shut off both water faucets; disconnect and drain water inlet hoses.
2. Put 1 qt. (1 L) of R.V.-type antifreeze in basket and run washer on RINSE & SPIN cycle for about 30 seconds to mix antifreeze and remaining water.
3. Unplug washer or disconnect power.

IMPORTANT: To reduce risk of hose failure, replace inlet hoses every five years and periodically inspect for kinks, cuts, wear, or water leaks.

HELPFUL TIP: When replacing your inlet hoses, mark replacement date on label with a permanent marker.

TRANSPORTING YOUR WASHER

1. Shut off both water faucets. Disconnect and drain water inlet hoses.
2. If washer will be moved during freezing weather, follow WINTER STORAGE CARE directions before moving.
3. Disconnect drain hose from drain system and from back of washer.
4. Unplug power cord.
5. Place inlet hoses and drain hose inside washer basket.
6. Bundle power cord with a rubber band or cable tie to keep it from hanging onto the ground.

IMPORTANT: Call for service to install transport bolts. Washer must be moved with transport bolts and in the upright position. To avoid structural damage to your washer, it must be properly set up for relocation by a certified technician.

REINSTALLING/USING WASHER AGAIN

To reinstall washer after non-use, vacation, winter storage, or moving:

1. Refer to Installation Instructions to locate, level, and connect washer.
2. Before using again, run washer through the following recommended procedure:

To use washer again:

1. Flush water pipes and hoses. Reconnect water inlet hoses. Turn on both water faucets.

⚠ WARNING



Electrical Shock Hazard

Plug into a grounded 3 prong outlet.

Do not remove ground prong.

Do not use an adapter.

Do not use an extension cord.

Failure to follow these instructions can result in death, fire, or electrical shock.

2. Plug in washer or reconnect power.
3. Run washer through NORMAL cycle to clean washer and remove antifreeze, if used. Use only HE detergent. Use half the manufacturer's recommended amount for a medium-size load.

TROUBLESHOOTING

First try the solutions suggested here or visit our website at www.amana.com/help for assistance and to possibly avoid a service call.

If you experience	Possible Causes	Solution
Error Code Appears in Display		
Once any possible issues are corrected, press START/PAUSE once to clear the code. Then press START/PAUSE again to restart washer. If code appears again, call for service.		
Sd (Excess suds) appears in display	Excessive suds in washer. Washer is running a suds reduction routine.	Allow the machine to continue. Use only HE detergent. Always measure detergent, and base detergent quantity on load size. Follow detergent manufacturer's instructions. If the dial is flashing, reselect your desired cycle using a cold wash temperature, and press START/PAUSE. Do not add detergent.
F8E1 (long fill - no water supply error) appears in display	Check for proper water supply.	Make sure hot and cold inlet hoses are not reversed.
		Both hoses must be attached and have water flowing to the inlet valve.
		Both hot and cold water faucets must be on.
		Inlet valve screens on washer may be clogged.
		Remove any kinks in the inlet hose. Press START/PAUSE once to clear the code. Then press START/PAUSE again to restart washer. If code appears again, call for service.
F9E1 (drain pump system error) appears in display	Check plumbing for correct drain hose installation. Drain hose extends into standpipe farther than 4.5" (114 mm).	Check drain hose for proper installation.
		Make sure the drain hose is not kinked, pinched, or blocked.
		Remove any clogs from drain hose.
		Use drain hose form and securely attach to drainpipe or tub. Lower drain hose if the end is higher than 96" (2.4 m) above the floor.
F--E-- code (Washer problem)	System error code.	Press POWER to cancel cycle and clear the code. Then press POWER and select Drain & Spin if there is excessive water in the washer. If the code appears again, call for service.
Vibration or Off-Balance		
Vibration, rocking, or "walking"	Feet may not be in contact with the floor and locked.	Front and rear feet must be in firm contact with floor, and washer must be level to operate properly. Jam nuts must be tight against the bottom of the cabinet.
	Washer may not be level.	Check floor for flexing or sagging. If flooring is uneven, a 3/4" (19 mm) piece of plywood under your washer will reduce sound. See "Level Washer" in Installation Instructions.
	Load could be unbalanced or too large.	Avoid tightly packing the load. Avoid washing single items. Balance a single item such as a rug or jacket with a few extra items.
		Use Heavy Duty cycle for oversized, non-absorbent items such as comforters or poly-filled jackets. Other items are not appropriate for Heavy Duty cycle. See "Cycle Guide".
	Item or load not suitable for selected cycle. See "Cycle Guide" and "Using Your Washer" in this Use and Care Guide.	
The transport bolts are still in the back of the washer.	See "Installation Instructions."	

TROUBLESHOOTING

First try the solutions suggested here or visit our website at www.amana.com/help for assistance and to possibly avoid a service call.

If you experience	Possible Causes	Solution
Noises		
Clicking or metallic noises	Door locking or unlocking.	The door will lock unlock and lock again. You will hear three clicks after pushing START/PAUSE. This is normal.
	Objects caught in washer drain system.	Empty pockets before washing. Loose items such as coins could fall between basket and tub or may block pump. It may be necessary to call for service to remove items. It is normal to hear metal items on clothing such as metal snaps, buckles, or zippers touch against the stainless steel basket.
Gurgling or humming	Washer may be draining water.	It is normal to hear the pump making a humming sound with periodic gurgling or surging as final amounts of water are removed during the spin/drain cycles.
Water Leaks		
Check the following for proper installation:	Fill hoses not attached tightly.	Tighten fill-hose connection.
	Fill hose washers.	Make sure all four fill hose flat washers are properly seated.
	Drain hose connection.	Check that the drain hose is properly secured to drainpipe or laundry tub.
	Check household plumbing for leaks or clogged sink or drain.	Water can backup out of a clogged sink or drainpipe. Check all household plumbing for leaks (laundry tubs, drain pipe, water pipes, and faucets.)
Water or suds leaking from door or rear of cabinet	Not using HE detergent or using too much HE detergent.	Only use HE detergent. Suds from regular detergents can cause leaking from the door or rear of cabinet. Always measure detergent and follow manufacturer's directions based on your load requirements.
	Door opened during "Add Garment."	Water can drip off the inside of the door when the door is opened after the start of a cycle.
	Residue on door glass.	Periodically clean the underside of the glass window to avoid potential leaks.
Washer not performing as expected		
Load not completely covered in water	Water level not visible on door or does not cover clothes.	This is normal for an HE front load washer. The washer senses load sizes and adds the correct amount of water for optimal cleaning.
Washer won't run or fill, washer stops working	Check for proper water supply.	Both hoses must be attached and have water flowing to inlet valve.
		Both hot and cold water faucets must be turned on.
		Check that inlet valve screens have not become clogged.
		Check for any kinks in inlet hoses, which can restrict water flow.

TROUBLESHOOTING

⚠ WARNING



Electrical Shock Hazard

Plug into a grounded 3 prong outlet.

Do not remove ground prong.

Do not use an adapter.

Do not use an extension cord.

Failure to follow these instructions can result in death, fire, or electrical shock.

First try the solutions suggested here or visit our website at www.amana.com/help for assistance and to possibly avoid a service call.

If you experience	Possible Causes	Solution
Washer not performing as expected (cont.)		
Washer won't run or fill, washer stops working (cont.)	Check proper electrical supply.	Plug power cord into a grounded 3 prong outlet.
		Do not use an extension cord.
		Ensure there is power to outlet.
		Check electrical source or call an electrician to check if voltage is low.
		Reset a tripped circuit breaker. Replace any blown fuses. NOTE: If problems continue, contact an electrician.
	Normal washer operation.	Door must be completely closed and latched for washer to run.
		Press and hold START/PAUSE for 1 second.
		Washer will pause during certain phases of cycle. Do not interrupt cycle.
		The washer pauses for about 2 minutes during certain cycles. Allow the cycle to continue. Some cycles feature periods of tumbling and soak.
		Washer may be stopped to reduce suds.
	The washer door is not firmly shut.	The door must be closed during operation.
	Washer not loaded as recommended.	Remove several items, rearrange load evenly in drum. Close door and press START/PAUSE.
		Do not add more than 1 or 2 additional garments after cycle has started to avoid tightly packing or unbalancing.
		Do not add more water to the washer.
	Not using HE detergent or using too much HE detergent.	Only use HE detergent. Suds from regular detergents can slow or stop the washer. Always measure detergent and follow manufacturers directions based on your load requirements.
To remove suds, cancel cycle. Select RINSE & SPIN. Press START/PAUSE. Do not add more detergent.		
Door not opened between cycles.	After any wash cycle is completed, the door must be opened and then closed before a new cycle can begin.	

TROUBLESHOOTING

First try the solutions suggested here or visit our website at www.amana.com/help for assistance and to possibly avoid a service call.

If you experience	Possible causes	Solution
Washer not performing as expected (cont.)		
Washer not draining/spinning, loads are still wet	Empty pockets and use garment bags for small items.	Small items may have been caught in pump.
	Drain hose extends into standpipe farther than 4.5" (114 mm).	Check drain hose for proper installation. Use drain hose form and securely attach to drainpipe or tub. Do not tape over drain opening.
	The drain hose is clogged, or the end of the drain hose more than 96" (2.4 m) above the floor.	Lower drain hose if the end is higher than 96" (2.4 m) above the floor. Remove any clogs from drain hose. See "Installation Requirements" in Installation Instructions.
	The drain hose fits too tightly in the standpipe, or is it taped to the standpipe.	The drain hose should be loose yet fit securely. Do not seal the drain hose with tape. The hose needs an air gap. See "Connect Drain Hose" in Installation Instructions.
	Using cycles with a lower spin speed.	Cycles with lower spin speeds remove less water than cycles with high spin speeds. Use the recommended cycle/speed spin for your garment.
	Washer not loaded as recommended.	A tightly packed or unbalanced load may not allow the washer to spin correctly, leaving the load wetter than normal. See "Cycle Guide" for load size recommendations for each cycle.
	The load may be out of balance.	Avoid washing single items. Balance a single item such as a rug or jacket with a few extra items.
	Not using HE detergent or using too much HE detergent.	Use only HE detergent. Suds from regular detergent or using too much detergent can slow or stop draining or spinning. Always measure and follow manufacturer's directions for your load. To remove extra suds, Select RINSE & SPIN. Do not add detergent.
The drum has clothing stuck between spin basket and outer tub.	Rotate drum by hand to check for any binding of the spin basket and outer tub. Move open end drum up and down while holding outer tub steady and check for looseness (more than 1/4" (6.35 mm) of movement).	
Door locked at end of wash cycle	Water remaining in washer after cycle.	Select DRAIN & SPIN to remove any water remaining in the washer. The washer door will unlock at the end of the drain.
Door will not unlock	Door locks when cycle has started.	If the "Add Garment" light is lit, press START/PAUSE once. The door will unlock.
Desired option or setting does not light	For best performance, not all settings are available with each cycle, and some options cannot be used together.	See the "Cycle Guide" for the available settings and options for each cycle.
Incorrect or wrong wash or rinse temperatures	Check for proper water supply.	Make sure hot and cold inlet hoses are not reversed.
		Both hoses must be attached to both washer and faucet, and have both hot and cold water flowing to inlet valve.
		Check that inlet valve screens are not clogged.
		Remove any kinks in hoses.
Washing many loads.	Your hot water tank may not have enough hot water to keep up with the number of hot or warm washes. This is normal.	
Load not rinsed	Check for proper water supply.	Make sure hot and cold inlet hoses are not reversed.
		Both hoses must be attached and have water flowing to the inlet valve.
		Both hot and cold water faucets must be on.
		Inlet valve screens on washer may be clogged.
		Remove any kinks in the inlet hose.

TROUBLESHOOTING

First try the solutions suggested here or visit our website at www.amana.com/help for assistance and to possibly avoid a service call.

If you experience	Possible Causes	Solution	
Washer not performing as expected (cont.)			
Load not rinsed	Not using HE detergent or using too much HE detergent.	<p>The suds from regular detergent can cause the washer to operate incorrectly.</p> <p>Use only HE detergent. Always measure detergent and follow manufacturer's directions based on load size and soil level.</p>	
	Washer not loaded as recommended.	<p>Avoid tightly packing the washer. The washer will not rinse well if tightly packed. Load with dry items only. See the "Cycle Guide" for load size recommendations for each cycle.</p> <p>Use cycle designed for the fabrics being washed.</p> <p>Add only 1 or 2 additional garments after washer has started.</p>	
	Load is wrinkled, twisted, or tangled	The washer is tightly packed.	<p>Add load loosely. Items need to move freely to reduce wrinkling and tangling. See the "Cycle Guide" for load size recommendations for each cycle.</p> <p>Reduce tangling by mixing types of load items. Use the recommended cycle for the type of garments being washed.</p>
		Wash action and/or spin speed too fast for load.	Select a slower spin speed. Note that items will be wetter than when using a higher speed spin.
The washer is not unloaded promptly.		Unload the washer as soon as it stops.	
Not choosing the right cycle for the load being washed.		Use the Delicate cycle with a low spin speed to reduce wrinkling.	
The wash water was not warm enough to relax wrinkles.		If safe for load, use warm or hot wash water.	
Not cleaning or removing stains	Washer not loaded as recommended.	Add load loosely. Items need to move freely for best cleaning. See the "Cycle Guide" for load size recommendations for each cycle.	
		Add only 1 or 2 additional garments after washer has started.	
	Not using HE detergent or using too much HE detergent.	Use only HE detergent. Always measure detergent and follow manufacturer's directions based on load size and soil level.	
		The suds from non-HE detergent can cause a film residue.	
	Hard water or high level of iron (rust) in water.	You may need to install a water softener and/or iron filter.	
	Fabric softener dispensing ball used.	Dispensing balls will not operate correctly with this washer. Add liquid fabric softener to the fabric softener compartment.	
	Powdered detergent used for low-speed cycle.	Consider using liquid detergent.	
	Not using correct cycle for fabric type.	Use Heavy Duty cycle for tough cleaning.	
	Not using dispensers.	Use dispensers to avoid chlorine bleach and fabric softener staining.	
		Load dispensers before starting a cycle.	
<p>Avoid overfilling.</p> <p>Do not add products directly to load.</p>			

TROUBLESHOOTING

First try the solutions suggested here or visit our website at www.amana.com/help for assistance and to possibly avoid a service call.

If you experience	Possible Causes	Solution
Washer not performing as expected (cont.)		
Not cleaning or removing stains (cont.)	Not washing like colors together.	Wash like colors together and remove promptly after the cycle is complete to avoid dye transfer.
	Not enough detergent used, or hard water.	Use more detergent for washing heavy soils in cold or hard water.
Odors	Monthly maintenance not done as recommended.	Run the Clean Washer with Affresh™ cycle monthly. See “Cleaning Your Washer” in Washer Maintenance .
	Not using HE detergent or using too much HE detergent.	Use only HE detergent. Be sure to measure correctly. Always follow the manufacturer’s directions.
		The suds from non-HE detergent can cause a film residue which can result in odor.
	See “Cleaning Your Washer” section.	
Door not left open after use.	This washer has a tight seal to avoid water leaks. To avoid odors, leave the door open to allow the washer to dry between uses.	
Fabric Damage	Sharp items were in pockets during wash cycle.	Empty pockets, zip zippers, and snap or hook fasteners before washing to avoid snags and tears.
	Strings and straps could have tangled.	Tie all strings and straps before starting wash load.
	Items may have been damaged before washing.	Mend rips and broken threads in seams before washing.
	Fabric damage can occur if washer is tightly packed.	Avoid tightly packing the washer. Load with dry items only.
		Use cycle designed for the fabrics being washed.
		Add only 1 or 2 additional garments after washer is started.
	Liquid chlorine bleach may have been added incorrectly.	Do not pour liquid chlorine bleach directly onto load. Wipe up bleach spills.
Undiluted bleach will damage fabrics. Do not use more than recommended by manufacturer.		
Gray whites, dingy colors	Load not sorted properly.	The transfer of dye can occur when mixing whites and colors in a load. Sort dark clothes from whites and lights.
	Wash temperatures too low.	Use hot or warm washes if safe for the load. Make sure your hot water system is adequate to provide a hot water wash.
	Not enough detergent used, or hard water.	Use more detergent for washing heavy soils in cold or hard water.
Incorrect dispenser operation	Clogged dispensers or laundry products dispensing too soon.	Do not overfill dispenser. Overfilling causes immediate dispensing.
		Clean the dispenser compartments, see “Cleaning the Dispenser” for more information.
		Load dispensers before starting a cycle.
		Measure detergent and fabric softener. Slowly pour into the dispensers. Wipe up all spills.
		Homes with low water pressure may result in residual powder in the dispenser. To avoid, select a warmer wash temperature if possible, depending on your load.
	Liquid chlorine bleach added to wrong compartment.	Use only liquid chlorine bleach in the liquid chlorine bleach compartment.
	Color-safe bleach or oxi products was added to liquid chlorine bleach compartment.	Add color-safe bleach or oxi products to the HE detergent compartment or directly to the washer basket before adding the load. Do not use the chlorine bleach dispenser for color-safe bleach or oxi products.
Water in dispenser after cycle has finished.	It is normal for small amounts of water to remain in dispenser at the end of the cycle.	

TROUBLESHOOTING

First try the solutions suggested here or visit our website at www.amana.com/help for assistance and to possibly avoid a service call.

If you experience	Possible Causes	Solution
Washer not performing as expected (cont.)		
Cycle time changes or cycle time too long	Normal washer operation.	The cycle times vary automatically based on your water pressure, water temperature, detergent, and clothes load. The options you select will also affect the cycle times that are shown in the "Cycle Guide."
	Excessive suds in washer.	When excessive suds are detected, a special suds routine automatically starts to remove extra suds and ensure proper rinsing of your garments. This routine will add time to the original cycle.
	Load may be out of balance.	When load unbalance occurs, an washing process will start to redistribute the load. This extends the cycle time. Avoid washing single items. Balance a single item such as a rug or jacket with a few extra items.
	Not using correct cycle for load type.	Spin time is added if an unbalanced load is detected. The washer will attempt to redistribute the load with additional tumbling.
		The Delicate cycle is designed for smaller load sizes (3-5 items) of lightly soiled garments. If larger loads are washed in this cycle, wash time will be increased.
		When using the Delicate cycle, you should wash small loads. This ensures a gentle wash for your garments without increasing cycle times.

AMANA® LAUNDRY WARRANTY

LIMITED WARRANTY

For one year from the date of purchase, when this major appliance is operated and maintained according to instructions attached to or furnished with the product, Amana brand of Whirlpool Corporation or Whirlpool Canada LP (hereafter "Amana") will pay for factory specified parts and repair labor to correct defects in materials or workmanship that existed when this major appliance was purchased. Service must be provided by a Amana designated service company. YOUR SOLE AND EXCLUSIVE REMEDY UNDER THIS LIMITED WARRANTY SHALL BE PRODUCT REPAIR AS PROVIDED HEREIN. This limited warranty is valid only in the United States or Canada and applies only when the major appliance is used in the country in which it was purchased. Proof of original purchase date is required to obtain service under this limited warranty.

ITEMS EXCLUDED FROM WARRANTY

This limited warranty does not cover:

1. Replacement parts or repair labor if this major appliance is used for other than normal, single-family household use or when it is used in a manner that is inconsistent to published user or operator instructions and/or installation instructions.
 2. Service calls to correct the installation of your major appliance, to instruct you on how to use your major appliance, to replace or repair house fuses, or to correct house wiring or plumbing.
 3. Service calls to repair or replace appliance light bulbs, air filters or water filters. Consumable parts are excluded from warranty coverage.
 4. Damage resulting from accident, alteration, misuse, abuse, fire, flood, acts of God, improper installation, installation not in accordance with electrical or plumbing codes, or use of products not approved by Amana.
 5. Cosmetic damage, including scratches, dents, chips or other damage to the finish of your major appliance, unless such damage results from defects in materials or workmanship and is reported to Amana within 30 days from the date of purchase.
 6. Pick up and delivery. This major appliance is intended to be repaired in your home.
 7. Repairs to parts or systems resulting from unauthorized modifications made to the appliance.
 8. Expenses for travel and transportation for product service if your major appliance is located in a remote area where service by an authorized Amana servicer is not available.
 9. The removal and reinstallation of your major appliance if it is installed in an inaccessible location or is not installed in accordance with Amana's published installation instructions.
 10. Replacement parts or repair labor on major appliances with original model/serial numbers that have been removed, altered, or cannot be easily determined.
-

DISCLAIMER OF IMPLIED WARRANTIES

IMPLIED WARRANTIES, INCLUDING ANY IMPLIED WARRANTY OF MERCHANTABILITY OR IMPLIED WARRANTY OF FITNESS FOR A PARTICULAR PURPOSE, ARE LIMITED TO ONE YEAR OR THE SHORTEST PERIOD ALLOWED BY LAW. Some states and provinces do not allow limitations on the duration of implied warranties of merchantability or fitness, so this limitation may not apply to you. This warranty gives you specific legal rights, and you also may have other rights that vary from state to state or province to province.

LIMITATION OF REMEDIES; EXCLUSION OF INCIDENTAL AND CONSEQUENTIAL DAMAGES

YOUR SOLE AND EXCLUSIVE REMEDY UNDER THIS LIMITED WARRANTY SHALL BE PRODUCT REPAIR AS PROVIDED HEREIN. AMANA SHALL NOT BE LIABLE FOR INCIDENTAL OR CONSEQUENTIAL DAMAGES. Some states and provinces do not allow the exclusion or limitation of incidental or consequential damages, so these limitations and exclusions may not apply to you. This warranty gives you specific legal rights, and you also may have other rights that vary from state to state or province to province.

If outside the 50 United States and Canada, contact your authorized Amana dealer to determine if another warranty applies.

If you think you need repair service, first see the "Troubleshooting" section of the Use & Care Guide. If you are unable to resolve the problem after checking "Troubleshooting," additional help can be found by checking the "Assistance or Service" section or by calling Amana. In the U.S.A., call **1-800-843-0304**. In Canada, call **1-800-607-6777**.

12/08

Keep this book and your sales slip together for future reference. You must provide proof of purchase or installation date for in-warranty service.

Write down the following information about your major appliance to better help you obtain assistance or service if you ever need it. You will need to know your complete model number and serial number. You can find this information on the model and serial number label located on the product.

Dealer name _____

Address _____

Phone number _____

Model number _____

Serial number _____

Purchase date _____

SÉCURITÉ DE LA LAVEUSE

Votre sécurité et celle des autres est très importante.

Nous donnons de nombreux messages de sécurité importants dans ce manuel et sur votre appareil ménager. Assurez-vous de toujours lire tous les messages de sécurité et de vous y conformer.



Voici le symbole d'alerte de sécurité.

Ce symbole d'alerte de sécurité vous signale les dangers potentiels de décès et de blessures graves à vous et à d'autres.

Tous les messages de sécurité suivront le symbole d'alerte de sécurité et le mot "DANGER" ou "AVERTISSEMENT". Ces mots signifient :

! DANGER

Risque possible de décès ou de blessure grave si vous ne suivez pas immédiatement les instructions.

! AVERTISSEMENT

Risque possible de décès ou de blessure grave si vous ne suivez pas les instructions.

Tous les messages de sécurité vous diront quel est le danger potentiel et vous disent comment réduire le risque de blessure et ce qui peut se produire en cas de non-respect des instructions.

IMPORTANTES INSTRUCTIONS DE SÉCURITÉ

AVERTISSEMENT : Pour réduire les risques d'incendie, de choc électrique ou de blessures lors de l'utilisation de la laveuse, suivre les précautions fondamentales dont les suivantes :

- Lire toutes les instructions avant d'utiliser la laveuse.
- Ne pas laver des articles qui ont été nettoyés ou lavés avec de l'essence ou imbibés d'essence, solvants de nettoyage à sec, ou autres substances inflammables ou explosives; ces substances peuvent émettre des vapeurs susceptibles de s'enflammer ou d'exploser.
- Ne pas ajouter d'essence, solvant de nettoyage à sec ou autre produit inflammable ou explosif dans l'eau de lavage. Ces substances peuvent émettre des vapeurs susceptibles de s'enflammer ou d'exploser.
- Dans certaines conditions, de l'hydrogène gazeux peut se former dans un circuit d'eau chaude qui n'a pas été utilisé pendant 2 semaines ou plus. LE GAZ HYDROGÈNE EST EXPLOSIBLE. Si le circuit d'eau chaude n'a pas été utilisé pendant une telle période, avant d'utiliser la laveuse, ouvrir tous les robinets d'eau chaude et laisser l'eau s'écouler pendant plusieurs minutes par chaque robinet. Ceci permettra l'évacuation de l'hydrogène gazeux accumulé. Comme ce gaz est inflammable, ne pas fumer ou utiliser une flamme nue au cours de cette période.
- Ne pas laisser des enfants jouer sur ou à l'intérieur de la laveuse. Bien surveiller les enfants lorsque la laveuse est utilisée à proximité d'enfants.
- Avant de mettre la laveuse au rebut ou hors de service, enlever la porte ou le couvercle.
- Ne pas tenter d'atteindre un article à l'intérieur de la cuve de la laveuse lorsque le tambour, la cuve ou l'agitateur est en mouvement.
- Ne pas installer ou remiser cette laveuse à un endroit où elle serait exposée aux intempéries.
- Ne pas modifier les organes de commande.
- Ne pas réparer ou remplacer un composant quelconque de la laveuse, ni entreprendre une opération de service, si ce n'est spécifiquement recommandé dans ce manuel ou dans un manuel d'instructions de réparations destiné à l'utilisateur; il est alors essentiel que la personne concernée comprenne ces instructions et soit compétente pour les exécuter.
- Pour les instructions de liaison à la terre, voir "Spécifications électriques" dans les instructions d'installation.

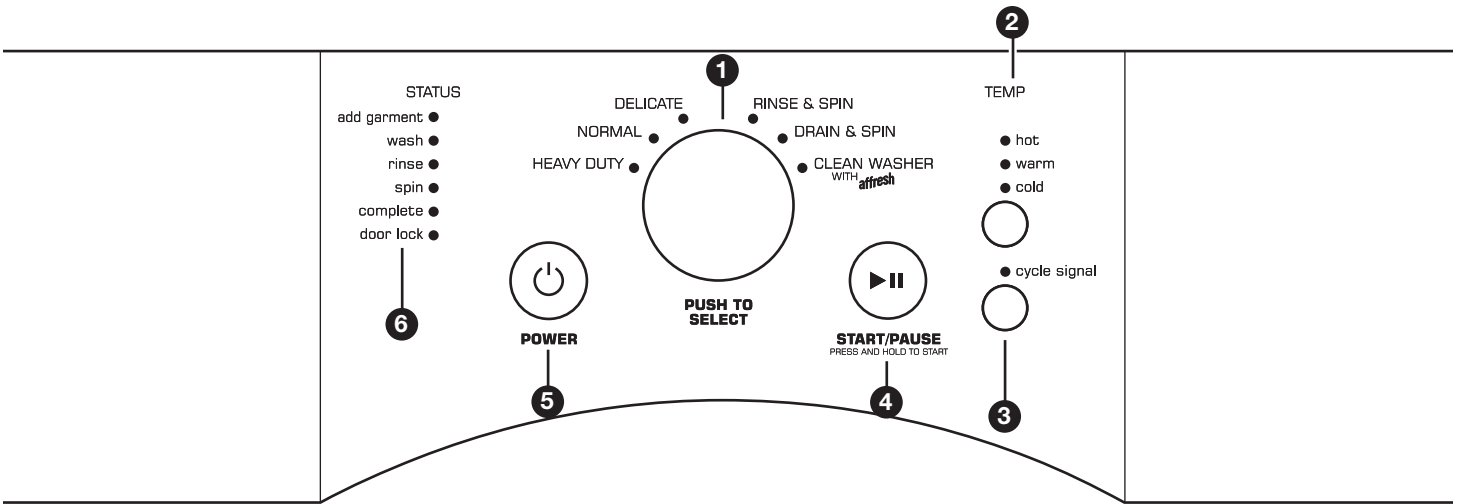
CONSERVEZ CES INSTRUCTIONS

Avertissements de la proposition 65 de l'État de Californie :

AVERTISSEMENT : Ce produit contient au moins un produit chimique connu par l'État de Californie pour être à l'origine de cancers.

AVERTISSEMENT : Ce produit contient au moins un produit chimique connu par l'État de Californie pour être à l'origine de malformations et autres déficiences de naissance.

TABLEAU DE COMMANDE ET CARACTÉRISTIQUES



Certains programmes et options ne sont pas disponibles sur certains modèles.
L'apparence des appareils peut varier.

1 BOUTON DE PROGRAMME DE LAVAGE

Tourner le bouton de programme pour sélectionner un programme correspondant à la charge de linge. Voir "Guide de programmes" pour des descriptions de programmes détaillées.

2 TEMP (TEMPÉRATURE)

La fonction de contrôle de température détecte et maintient une température uniforme de l'eau en régulant le débit d'arrivée d'eau chaude et d'eau froide.

Sélectionner une température de lavage en fonction du type de tissu et de saleté à laver. Pour des résultats optimaux, suivre les instructions sur l'étiquette du vêtement et utiliser la température d'eau de lavage la plus chaude possible qui reste sans danger pour le tissu.

- Les températures de l'eau tiède et de l'eau chaude seront inférieures à celles de votre précédente laveuse.
- Même pour les lavages dont la température a été réglée sur Cool (frais), il est possible que de l'eau tiède soit ajoutée à la laveuse pour maintenir une température minimale.

3 SIGNAL DE FIN DE PROGRAMME

Ce signal est utile lorsqu'on retire les articles de la laveuse aussitôt qu'elle s'arrête. Sélectionner ON (marche) ou OFF (arrêt).

4 BOUTON START/PAUSE (mise en marche/pause)

Appuyer sans relâcher sur ce bouton pour démarrer un programme ou appuyer une fois dessus pour suspendre un programme en cours et appuyer de nouveau pour reprendre le programme. Si l'on n'appuie pas sur START/PAUSE (mise en marche/pause) dans les 5 minutes suivant le choix d'un programme, la laveuse s'éteint automatiquement.

5 BOUTON POWER (mise sous tension)

Appuyer sur ce bouton pour mettre la laveuse en marche et pour l'éteindre. Appuyer de nouveau sur ce bouton pour arrêter/annuler un programme à tout moment.

6 TÉMOINS LUMINEUX (status)

Les témoins lumineux indiquent la progression d'un programme. À chaque étape du processus, il est possible que l'on remarque des pauses ou des sons différents de ceux des laveuses ordinaires.

ADD GARMENT (ajouter un vêtement)

Lorsque Add Garment (ajouter un vêtement) est allumé, on peut suspendre le programme de la laveuse, ouvrir la porte et ajouter 2 ou 3 articles supplémentaires.

WASH (lavage)

Il s'agit là de la partie principale du programme de lavage. On peut voir la laveuse faire culbutter la charge. Les bruits émis par le moteur peuvent changer lors des différentes étapes du programme. La durée de lavage est déterminée par le programme sélectionné ainsi que par la taille de la charge.

RINSE (rinçage)

On entend des sons similaires à ceux entendus lors du programme de lavage à mesure que la laveuse rince et déplace la charge.

SPIN (essorage)

La laveuse essore la charge à des vitesses augmentant graduellement pour une bonne extraction de l'eau, en fonction du programme et de la vitesse d'essorage sélectionnée.

COMPLETE (terminé)

Une fois le programme terminé, ce témoin s'allume. Retirer la charge rapidement pour un résultat optimal.

DOOR LOCK (verrouillage de porte)

La fonction Door Lock (verrouillage de la porte) permet d'éviter l'utilisation involontaire de la laveuse. Lorsque le témoin Door Lock (verrouillage de la porte) est allumé, tous les boutons sont désactivés à l'exception de Start/Pause (mise en marche/pause), Power (mise sous tension), et Cycle Signal (signal de programme).

GUIDE DES PROGRAMMES

Pour un meilleur soin des tissus, choisir le programme qui convient le mieux à la charge à laver.
Certains programmes et options ne sont pas disponibles sur certains modèles.

Articles à laver :	Programme :	Temp*:	Vitesse d'essorage :	Détails du programme :
Tissus résistants, articles grand-teint, serviettes, jeans	Heavy Duty (service intense)	Hot (Chaud) Warm (Tiède) Cold (Froide)	High (Élevée)	Utiliser ce programme pour les articles très sales ou robustes. Ce programme combine un culbutage à vitesse rapide, une durée de lavage prolongée et un essorage à vitesse élevée pour réduire les durées de séchage.
Articles en coton, linge de maison, draps, et charges mixtes	Normal	Hot (Chaud) Warm (Tiède) Cold (Froide)	High (Élevée)	Utiliser ce programme pour les articles en coton et les charges de tissus mixtes présentant un degré de saleté normal. Ce programme combine un culbutage à vitesse moyenne, un essorage à vitesse élevée et un processus de refroidissement de la charge pour réduire le froissement.
Articles en soie ou en laine lavables en machine et lingerie	Delicate (articles délicats)	Hot (Chaud) Warm (Tiède) Cold (Froide)	Low (Basse)	Utiliser ce programme pour laver des vêtements légèrement sales dont l'étiquette de soin indique "Soie lavable en machine" ou "Programme délicat". Placer les petits articles dans des sacs en filet avant le lavage.
Maillots et articles nécessitant un rinçage sans détergent	Rinse & Spin (Rinçage et essorage)	Cold (Froide)	High (Élevée)	Combine un rinçage et un essorage à vitesse élevée pour les charges nécessitant un programme de rinçage supplémentaire ou pour finir de prendre soin d'une charge après une coupure de courant. Utiliser également pour les charges nécessitant uniquement un rinçage.
Articles très humides et articles lavés à la main	Drain & Spin (Vidange et essorage)	N/A	High (Élevée)	Ce programme utilise un essorage pour réduire les durées de séchage pour les tissus lourds ou les articles lavés à la main nécessitant un soin spécial. Utiliser ce programme pour vidanger la laveuse après avoir annulé un programme ou avoir terminé un programme après une coupure de courant.
Pas de vêtements dans la laveuse	Clean Washer with Affresh® (nettoyage de la laveuse avec Affresh®)	N/A	High (Élevée)	Utiliser le nettoyant pour laveuse Affresh® tous les mois pour nettoyer l'intérieur de la laveuse. S'assurer qu'aucun vêtement ne se trouve dans la laveuse.

*Tous les rinçages se font à l'eau froide.

UTILISATION DE LA LAVEUSE

⚠ AVERTISSEMENT



Risque d'incendie

Ne jamais mettre des articles humectés d'essence ou d'autres fluides inflammables dans la laveuse.

Aucune laveuse ne peut complètement enlever l'huile.

Ne pas faire sécher des articles qui ont été salis par tout genre d'huile (y compris les huiles de cuisson).

Le non-respect de ces instructions peut causer un décès, une explosion ou un incendie.

⚠ AVERTISSEMENT



Risque de choc électrique

Brancher sur une prise à 3 alvéoles reliée à la terre.

Ne pas enlever la broche de liaison à la terre.

Ne pas utiliser un adaptateur.

Ne pas utiliser un câble de rallonge.

Le non-respect de ces instructions peut causer un décès, un incendie ou un choc électrique.

Choix du détergent approprié

Utiliser uniquement des détergents Haute efficacité. L'emballage portera la mention "HE" ou "High Efficiency" (haute efficacité). Un lavage avec faible consommation d'eau produit un excès de mousse avec un détergent non HE ordinaire. Il est probable que l'utilisation d'un détergent ordinaire prolongera la durée des programmes et réduira la performance de rinçage. Ceci peut aussi entraîner des défaillances de composants et, avec le temps, une accumulation de moisissure. Les détergents HE sont conçus pour produire la quantité de mousse adéquate pour le meilleur rendement. Suivre les recommandations du fabricant pour déterminer la quantité de détergent à utiliser.

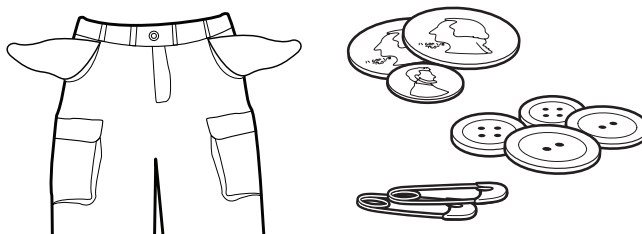


Utiliser uniquement un détergent Haute efficacité (HE).

Premier programme de lavage sans vêtements

Avant de laver les vêtements pour la première fois, choisir le programme NORMAL et l'exécuter sans linge (si cela n'a pas déjà été fait au cours de l'étape d'installation finale). Utiliser uniquement un détergent HE. Utiliser la moitié de la quantité recommandée par le fabricant pour une charge de taille moyenne. Ce programme préalable sert à garantir que l'intérieur est propre avant de laver des vêtements.

1. Trier et préparer le linge

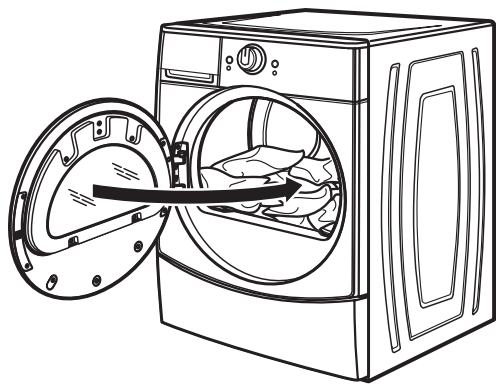


Trier les articles en fonction du programme et de la température d'eau recommandés, ainsi que la solidité des teintures. Séparer les articles très sales des articles peu sales. Séparer les articles délicats des tissus résistants. Traiter les taches sans délai et contrôler la solidité des teintures en essayant les produits d'élimination de taches sur une couture intérieure.

IMPORTANT :

- Vider les poches. Les pièces de monnaie, boutons et autres petits objets peuvent obstruer les pompes et nécessiter une intervention de dépannage.
- Fermer les fermetures à glissière, attacher les crochets, cordons et ceintures en tissu, et retirer tout accessoire et ornement non lavables.
- Réparer les déchirures pour éviter que les articles ne s'endommagent encore davantage lors du nettoyage.
- Retourner les tricots pour éviter le boulochage. Séparer les articles qui forment la charpie de ceux qui la retiennent. Les articles synthétiques, tricots et articles en velours retiennent la charpie provenant des serviettes, des tapis et des tissus chenille.
- Ne pas sécher les vêtements si les taches sont toujours présentes après le lavage car la chaleur pourrait fixer les taches sur le tissu.
- Toujours lire et suivre les instructions figurant sur les étiquettes de soin des tissus et sur les produits de lessive. Une mauvaise utilisation pourrait endommager les vêtements.

2. Charger les vêtements dans la laveuse



Ouvrir la porte de la laveuse. Placer une charge de linge trié dans la laveuse sans les tasser. Les articles doivent pouvoir se déplacer librement pour un nettoyage optimal et pour réduire le froissement et l’emmêlement. Fermer la porte de la laveuse en la poussant fermement jusqu’à ce que le loquet émette un clic.

- Il est possible de charger complètement la laveuse, selon le type de charge et le programme, mais les vêtements ne doivent pas être tassés. La porte de la laveuse doit fermer facilement. Voir “Guide de programmes” pour des suggestions sur le mode de chargement.
- Mélanger les gros articles avec les petits et éviter de laver des articles seuls. Charger de façon uniforme.
- Laver les petits articles dans des sacs à linge en filet. Si les petits articles sont nombreux, utiliser plus d’un sac et remplir les sacs de façon égale.

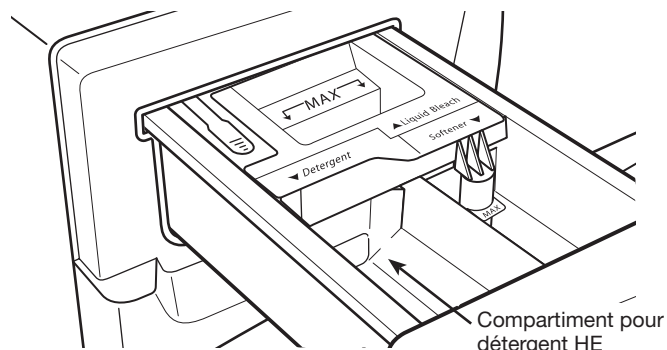
Utilisation du distributeur

Pour utiliser le tiroir de distribution :

1. Ouvrir le tiroir distributeur.
2. Ajouter les produits de lessive tel que décrit dans les étapes 3 à 5.
3. Fermer lentement le tiroir du distributeur. Vérifier qu’il est complètement fermé.

REMARQUE : Il est possible qu’une petite quantité d’eau provenant du programme de lavage précédent reste dans les distributeurs. Ceci est normal.

3. Ajouter du détergent HE au distributeur



Verser le détergent HE liquide ou en poudre dans ce compartiment.

Les produits oxi ou l’agent ou de blanchiment sans danger pour les couleurs peuvent être versés dans ce compartiment avec des détergents similaires.

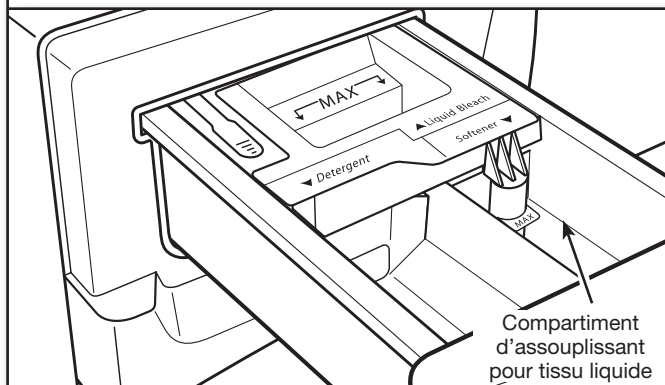


Use only High Efficiency (HE) detergent.

REMARQUE : Ne pas mélanger les produits en poudre avec les produits liquides.

Ne pas remplir excessivement le distributeur – le fait d’ajouter trop de détergent peut entraîner sa distribution prématurée dans la laveuse.

4. Verser de l’assouplissant pour tissu dans le distributeur (si désiré)



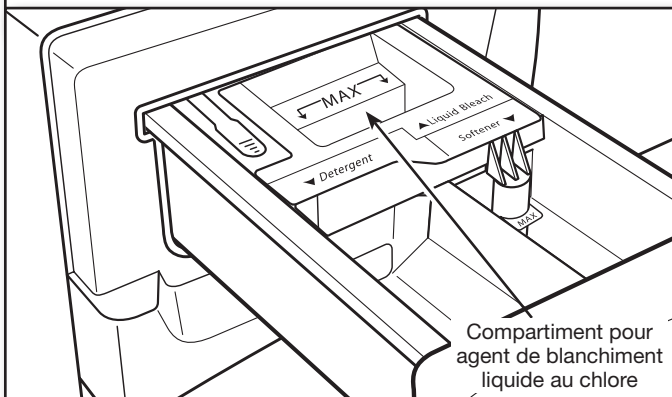
Verser une mesure de l’assouplissant pour tissu liquide dans le compartiment d’assouplissant pour tissu liquide. Toujours suivre les instructions du fabricant pour connaître la quantité d’assouplissant pour tissu adéquate en fonction de la taille de la charge.

L’assouplissant pour tissu est toujours distribué lors du rinçage final.

IMPORTANT : Ne pas remplir excessivement le distributeur, diluer le produit ou utiliser plus de 1/4 de tasse (60 mL) d’assouplissant pour tissu. Ne pas remplir au-delà du niveau MAX. Si l’on remplit excessivement le distributeur, l’assouplissant pour tissu sera distribué dans la laveuse immédiatement.

- Ne pas renverser ou faire couler d’assouplissant pour tissu sur les vêtements.
- Ne pas utiliser de boules distributrices d’assouplissant pour tissu dans cette laveuse. Elles ne distribueront pas leur contenu correctement.

5. Ajouter de l'agent de blanchiment liquide au chlore dans le distributeur (si désiré)



Compartiment pour agent de blanchiment liquide au chlore

Ajouter une mesure d'agent de blanchiment liquide au chlore dans le compartiment d'agent de blanchiment. Ne pas remplir excessivement le distributeur, diluer le produit ou utiliser plus de 2/3 de tasse (165 mL). Utiliser une tasse à mesurer avec un bec verseur; ne pas utiliser une quantité approximative.

- Ne pas remplir au-delà du niveau "MAX". Un remplissage excessif peut entraîner la distribution prématurée de l'agent de blanchiment et endommager les vêtements.
- Ne pas ajouter d'agent de blanchiment sans danger pour les couleurs ou de produit Oxi dans ce distributeur.

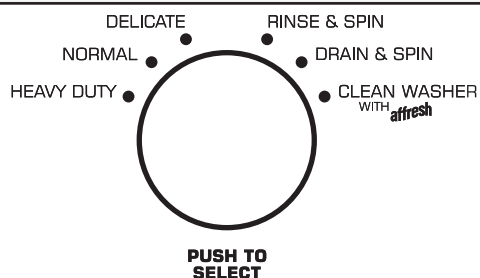
6. Appuyer sur POWER (mise sous tension) pour mettre la laveuse en marche



POWER

Fermer lentement le tiroir du distributeur. S'assurer que le tiroir est complètement fermé, puis appuyer sur POWER (mise sous tension) pour mettre la laveuse en marche. Pour annuler un programme, appuyer sur POWER (mise sous tension); la laveuse s'éteint alors, la porte se déverrouille et les vêtements peuvent être retirés.

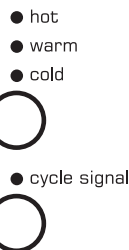
7. Sélectionner le PROGRAMME



Turner le bouton de programme pour choisir un programme de lavage. Voir "Guide de programmes" pour plus de détails concernant les caractéristiques de programmes. Toutes les et options ne sont pas disponibles sur tous les programmes.

8. Sélectionner des options supplémentaires si désiré

TEMP



Pour ajouter des options au programme, appuyer sur le bouton correspondant à l'option souhaitée jusqu'à ce que le témoin lumineux s'allume pour ajouter cette option au programme sélectionné.

REMARQUE: Toutes les options ne sont pas disponibles avec tous les programmes. Voir "Guide de programmes" pour consulter les options disponibles.

9. Appuyer sans relâcher sur START/PAUSE (mise en marche/pause) pour démarrer le programme de lavage



START/PAUSE
PRESS AND HOLD TO START

Appuyer sans relâcher sur le bouton START/PAUSE (mise en marche/pause) pour démarrer le programme de lavage. Pour suspendre un programme en cours, appuyer une fois sur le bouton START/PAUSE puis appuyer de nouveau sans relâcher pour poursuivre le programme. Pour annuler un programme, appuyer sur le bouton POWER (mise sous tension).

Door Locked (porte verrouillée)

Une fois que l'on a appuyé sans relâcher sur START/PAUSE (mise en marche/pause), on entend la porte se verrouiller, se déverrouiller puis se verrouiller à nouveau. Lorsque le témoin lumineux de porte verrouillée s'allume, la porte est verrouillée. La porte se verrouille et se déverrouille automatiquement, en fonction de l'état d'avancement du programme de lavage.

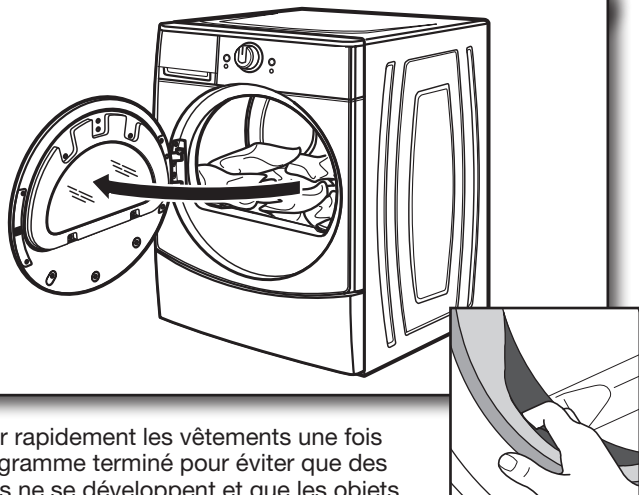
Déverrouillage de la porte pour pouvoir ajouter des vêtements :

Si l'on doit ouvrir la porte pour pouvoir ajouter 1 ou 2 vêtements oubliés, on peut le faire lorsque le témoin lumineux "Add Garment" (ajouter vêtement) est allumé.

Appuyer une fois sur START/PAUSE (mise en marche/pause); la porte se déverrouille une fois que le mouvement de la laveuse a cessé. Cela peut prendre plusieurs minutes. Fermer ensuite la porte et appuyer de nouveau sur START/PAUSE (mise en marche/pause) pour poursuivre le programme.

Pour ajouter des articles une fois que la période Add Garment est terminée, il est nécessaire d'annuler le programme de lavage, d'ajouter les articles et de commencer un nouveau programme de lavage.

10. Retirer rapidement les vêtements une fois le programme terminé



Retirer rapidement les vêtements une fois le programme terminé pour éviter que des odeurs ne se développent et que les objets métalliques faisant partie des vêtements ne rouillent. Lorsqu'on décharge les vêtements, irer le dispositif de verrouillage de la porte et vérifier qu'il ne reste pas de petits articles entre la cuve et le panier.

REMARQUE :

- Lorsqu'un programme de lavage est terminé, la porte doit être ouverte puis refermée avant qu'un nouveau programme puisse commencer.
- Il est possible qu'une petite quantité d'eau reste dans les distributeurs une fois le programme de lavage terminé. Ceci est normal.
- Cette laveuse dispose d'une fermeture étanche pour éviter les fuites d'eau. Pour éviter la formation d'odeurs, laisser la porte ouverte afin de permettre à la laveuse de sécher entre deux utilisations.

ENTRETIEN DE LA LAVEUSE

NETTOYAGE DE LA LAVEUSE

Votre laveuse doit rester aussi propre et fraîche que vos vêtements. Pour que l'intérieur de la laveuse reste libre de toute odeur, suivre la procédure de nettoyage recommandée suivante au moins une fois par mois :

1. S'assurer que le tambour à linge est vide.
2. Ajouter une pastille de nettoyant pour laveuse recommandé AFFRESH® dans le panier de la laveuse
OU

Si l'on utilise de l'agent de blanchiment liquide au chlore, ajouter 2/3 tasse (160 mL) dans le distributeur d'agent de blanchiment liquide au chlore.

IMPORTANT : Ne pas ajouter de détergent au programme CLEAN WASHER with Affresh™ (nettoyage de la laveuse avec Affresh™). Pour éviter tout dommage à long terme, ne pas utiliser plus que la quantité d'agent de blanchiment recommandée.

3. Fermer la porte de la laveuse et le tiroir distributeur.
4. Sélectionner le programme CLEAN WASHER with Affresh™ (nettoyage de la laveuse avec AFFRESH™).
5. Appuyer sans relâcher sur START/PAUSE (mise en marche/pause).

REMARQUE : Le panier pivote, la porte se déverrouille, se verrouille à nouveau et le programme se poursuit ensuite. La laveuse ne se remplit pas et le panier pivote tandis que la laveuse effectue un court programme de détection. Ceci prend environ 3 minutes.

6. Le programme détermine si des vêtements ou autres articles se trouvent dans la laveuse. Si aucun article n'est détecté dans la laveuse, il passera à l'étape 8.
Si la DEL de lavage clignote, la porte se déverrouille. Retirer tout vêtement ou article de la laveuse. Appuyer sur POWER (mise sous tension) pour annuler la DEL clignotante. Répéter ensuite les étapes 1, 2 et 6 pour remettre le programme en marche.
7. Une fois que le programme a commencé, on doit le laisser se terminer.
8. Une fois le programme terminé, laisser la porte légèrement ouverte pour permettre une meilleure ventilation et pour que l'intérieur de la laveuse puisse sécher.

Nettoyage de l'extérieur :

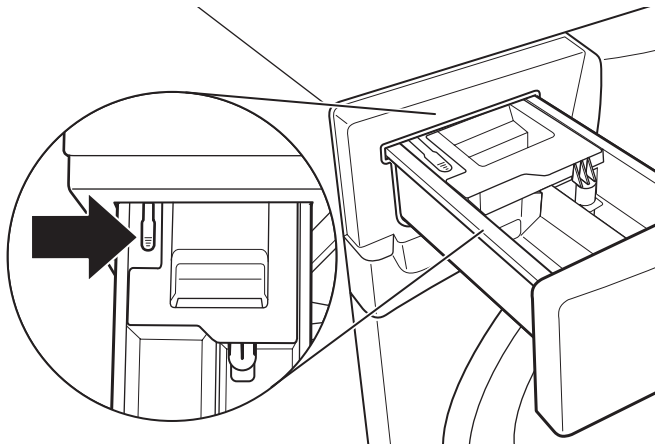
1. Utiliser une éponge ou un chiffon doux et humide pour essuyer les renversements.
2. Au besoin, utiliser un savon doux et de l'eau.

IMPORTANT : Afin d'éviter d'endommager la fini de la laveuse, ne pas utiliser de produits abrasifs.

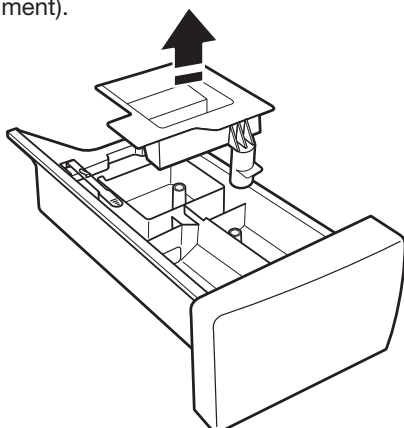
NETTOYAGE DU DISTRIBUTEUR

On trouvera peut-être des traces de produits de lessive dans les compartiments de distributeurs. Pour éliminer ces traces, suivre la procédure de nettoyage recommandée suivante :

1. Tirer le tiroir du distributeur jusqu'à la butée.
2. Appuyer sur la patte de déverrouillage et dégager le distributeur en le tirant tout droit.

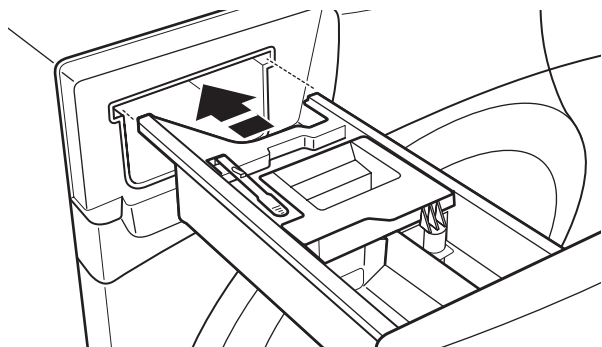


3. Retirer la pièce amovible (le siphon des compartiments de l'assouplissant pour tissu et de l'agent de blanchiment).



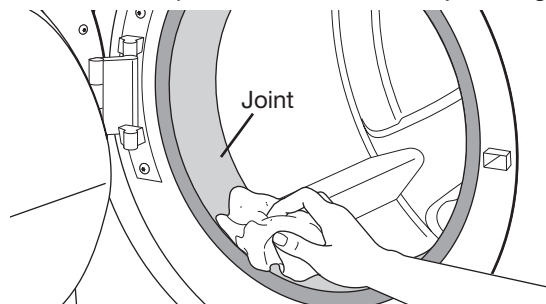
4. Laver le distributeur et le panneau du couvercle à l'eau tiède et savonneuse avec un détergent doux.
5. Rincer à l'eau tiède.
6. Faire sécher à l'air ou essuyer avec une serviette propre. Réinstaller la pièce amovible.
7. Aligner les bords du distributeur avec les guides situés dans la laveuse puis réinsérer le distributeur dans la fente en le faisant glisser.

IMPORTANT : Le distributeur n'est pas lavable au lave-vaisselle.



NETTOYAGE DU JOINT DE LA PORTE

1. Ouvrir la porte de la laveuse et retirer tout vêtement ou article de la laveuse.
2. Examiner le joint entre l'ouverture de la porte et le panier pour déceler d'éventuelles zones tachées. Tirer sur le joint pour examiner complètement la zone qui se trouve en dessous et vérifier qu'elle est libre de tout objet étranger.



3. Si l'on décelé des zones tachées, essuyer ces zones en respectant la procédure indiquée ci-dessous.
 - a) Mélanger une solution diluée en utilisant 3/4 de tasse (177 mL) d'agent de blanchiment liquide au chlore et 1 gal. (3,8 L) d'eau tiède du robinet.
 - b) Essuyer la zone du joint avec la solution diluée, en utilisant un chiffon humide.
 - c) Laisser agir pendant 5 minutes.
 - d) Essuyer la zone complètement avec un chiffon sec et laisser l'intérieur de la laveuse sécher à l'air en laissant la porte ouverte.

IMPORTANT : Porter des gants en caoutchouc en cas de nettoyage pendant une période prolongée. Consulter les instructions du fabricant de l'agent de blanchiment pour une utilisation correcte.

NON UTILISATION ET ENTRETIEN EN PÉRIODE DE VACANCES

Faire fonctionner la laveuse seulement lorsqu'on est présent. En cas de déménagement ou si l'on n'utilise pas la laveuse pendant longtemps, suivre les étapes suivantes :

1. Débrancher la laveuse ou déconnecter la source de courant électrique.
2. Fermer l'alimentation en eau à la laveuse pour éviter toute inondation due à une surpression.

ENTRETIEN POUR ENTREPOSAGE HIVERNAL

IMPORTANT : Pour éviter tout dommage, installer et remiser la laveuse à l'abri du gel. L'eau qui peut rester dans les tuyaux risque d'abîmer la laveuse en temps de gel. Si la laveuse doit faire l'objet d'un déménagement ou d'entreposage au cours d'une période de gel, hivériser la laveuse.

Hivérissation de la laveuse :

1. Fermer les deux robinets d'eau; déconnecter et vidanger les tuyaux d'arrivée d'eau.
2. Placer 1 L d'antigel pour véhicule récréatif dans le panier et faire fonctionner la laveuse sur un programme RINSE & SPIN (rinçage et essorage) pendant environ 30 secondes pour mélanger l'antigel et l'eau restante.
3. Débrancher la laveuse ou déconnecter la source de courant électrique.

IMPORTANT : Pour réduire le risque de défaillance intempestive, remplacer les tuyaux d'arrivée d'eau tout les cinq ans et les inspecter régulièrement pour vérifier l'absence de déformations, de coupures, d'usure ou de fuites d'eau.

CONSEIL UTILE : Lors du remplacement des tuyaux d'arrivée d'eau, noter la date de remplacement au marqueur indélébile sur l'étiquette.

TRANSPORT DE LA LAVEUSE

1. Fermer les deux robinets d'eau. Débrancher et vidanger les tuyaux d'arrivée d'eau.
2. Si l'on déplace la laveuse pendant une période de gel, suivre les instructions de la section ENTRETIEN POUR ENTREPOSAGE HIVERNAL avant de la déplacer.
3. Déconnecter le tuyau d'évacuation du système d'évacuation et de l'arrière de la laveuse.
4. Débrancher le cordon d'alimentation.
5. Placer les tuyaux d'arrivée d'eau et le tuyau d'évacuation dans le panier de la laveuse.
6. Enrouler le cordon d'alimentation et l'attacher avec un élastique ou avec un attache-câble pour l'empêcher de traîner sur le plancher.

IMPORTANT: Demander une intervention de dépannage si l'on doit installer de nouveau boulons de transport. La laveuse doit être transportée en position verticale avec les boulons de transport installés. Afin d'éviter d'endommager la structure de la laveuse, celle-ci doit être correctement installée pour pouvoir être déplacée par un technicien agréé.

RÉINSTALLATION/RÉUTILISATION DE LA LAVEUSE

Pour réinstaller la laveuse après une période de non-utilisation, de vacances, de remisage pour l'hiver ou après un déménagement :

1. Consulter les instructions d'installation pour choisir l'emplacement, régler l'aplomb de la laveuse et la raccorder.
2. Avant de réutiliser la laveuse, exécuter la procédure recommandée suivante :

Remise en marche de la laveuse :

1. Vidanger les canalisations d'eau et les tuyaux. Reconnecter les tuyaux d'arrivée d'eau. Ouvrir les deux robinets d'eau.

⚠ AVERTISSEMENT



Risque de choc électrique

Brancher sur une prise à 3 alvéoles reliée à la terre.

Ne pas enlever la broche de liaison à la terre.

Ne pas utiliser un adaptateur.

Ne pas utiliser un câble de rallonge.

Le non-respect de ces instructions peut causer un décès, un incendie ou un choc électrique.

2. Brancher la laveuse ou reconnecter la source de courant électrique.
3. Faire exécuter à la laveuse le programme NORMAL pour nettoyer la laveuse et éliminer l'antigel, le cas échéant. Utiliser uniquement un détergent HE. Utiliser la moitié de la quantité recommandée par le fabricant pour une charge de taille moyenne.

DÉPANNAGE

Essayer d'abord les solutions suggérées ici ou consulter le site Web www.amana.com/help pour obtenir de l'aide et pour éviter une intervention de réparation.

Si les phénomènes suivants se produisent	Causes possibles	Solution
Un code d'erreur apparaît sur l'affichage		
Une fois que tout problème éventuel a été résolu, appuyer sur START/PAUSE (mise en marche/pause) pour effacer le code. Puis appuyer de nouveau sur START/PAUSE pour redémarrer la laveuse. Si le code réapparaît, faire un appel de service.		
Sd (mousse excessive) apparaît sur l'affichage	Il y a trop de mousse dans la laveuse. La laveuse exécute une procédure de réduction de la quantité de mousse.	Laisser la machine continuer. Utiliser uniquement un détergent HE. Toujours mesurer le détergent et baser la quantité de détergent sur la taille de la charge. Suivre les instructions du fabricant du détergent. Si le cadran clignote, sélectionner à nouveau le programme désiré à l'aide d'une température de lavage froide et appuyer sur START/PAUSE (mise en marche/pause). Ne pas ajouter de détergent.
F8E1 (remplissage trop long - erreur : pas d'approvisionnement en eau) apparaît sur l'affichage	Vérifier que l'alimentation en eau est correcte.	S'assurer que les tuyaux d'arrivée d'eau chaude et froide n'ont pas été inversés.
		Les deux tuyaux doivent être fixés et l'eau doit pénétrer dans la valve d'arrivée.
		Les robinets d'eau chaude et d'eau froide doivent être ouverts tous les deux.
		Les tamis des valves d'arrivée d'eau de la laveuse sont peut-être obstrués.
		Éliminer toute déformation du tuyau d'arrivée.
F9E1 (erreur du système de pompe de vidange) apparaît sur l'affichage	Inspecter le circuit de plomberie pour vérifier que le tuyau de vidange est correctement installé. Le tuyau de vidange se prolonge dans le tuyau rigide de rejet à l'égout au-delà de 4,5" (114 mm).	Vérifier que le tuyau de vidange est correctement installé.
		Vérifier que le tuyau d'évacuation n'est pas déformé, écrasé ou obstrué.
		Retirer toute obstruction du tuyau de vidange.
		Utiliser la bride de retenue pour tuyau de vidange et la fixer solidement au tuyau de rejet à l'égout ou à la cuve.
		Abaissier le tuyau de vidange si l'extrémité se trouve à plus de 96" (2,4 m) au-dessus du plancher.
Code F--E-- (Problème avec la laveuse)	Code d'erreur du système.	Appuyer sur POWER (mise sous tension) pour annuler le programme et effacer le code. Appuyer ensuite sur POWER (mise sous tension) et sélectionner Drain & Spin (vidange et essorage) en cas d'excès d'eau dans la laveuse. Si le code réapparaît, faire un appel de service.
Vibrations ou déséquilibre		
Vibrations, balancement ou effet de "marche" de la laveuse	Les pieds ne sont peut-être pas en contact avec le plancher ou verrouillés.	Les pieds avant et arrière doivent être en contact ferme avec le plancher et la laveuse doit être d'aplomb pour fonctionner correctement. Les contre-écrous doivent être bien serrés contre le bas de la caisse.
	La laveuse n'est peut-être pas d'aplomb.	Vérifier que le plancher n'est pas incurvé ou qu'il ne s'affaisse pas. Si le plancher est irrégulier, un morceau de contreplaqué de 3/4" (19 mm) placé sous la laveuse permettra de réduire le bruit. Voir "Réglage de l'aplomb de la laveuse" dans les Instructions d'installation.
	La charge est peut-être déséquilibrée ou de trop grande taille.	Éviter de tasser la charge. Éviter de laver un article seul. Compenser le poids d'un article seul tel qu'un tapis ou une veste par quelques articles supplémentaires pour équilibrer le tout.

DÉPANNAGE

Essayer d'abord les solutions suggérées ici ou consulter le site Web www.amana.com/help pour obtenir de l'aide et pour éviter une intervention de réparation.

Si les phénomènes suivants se produisent	Causes possibles	Solution
Vibrations ou déséquilibre		
Vibrations, balancement ou effet de "marche" de la laveuse	La charge est peut-être déséquilibrée ou de trop grande taille.	Utiliser le programme Heavy Duty (service intense) pour les articles surdimensionnés et non absorbants tels les couettes ou les vestes avec rembourrage en polyester. Certains articles ne conviennent pas au programme Heavy Duty. Voir "Guide de programmes".
		L'article ou la charge ne convient pas au programme sélectionné. Voir "Guide de programme" et "Utilisation de la laveuse" dans ce guide d'utilisation et d'entretien.
	Les boulons de transport se trouvent toujours à l'arrière de la laveuse.	Voir "Instructions d'installation".
Bruits		
Cliquetis ou bruits métalliques	Porte qui se verrouille ou se déverrouille.	La porte se verrouillera, se déverrouillera puis se verrouillera à nouveau. Trois déclics se font entendre une fois que l'on appuie sur START/PAUSE (mise en marche/pause). Ceci est normal.
	Des objets sont coincés dans le système de vidange de la laveuse.	Vider les poches avant le lavage. Les articles mobiles tels des pièces de monnaie sont susceptibles de tomber entre le panier et la cuve; ils peuvent aussi obstruer la pompe. Un appel pour intervention de dépannage s'avérera peut-être nécessaire pour retirer ces objets.
		Il est normal d'entendre des articles métalliques faisant partie des vêtements comme les boutons-pression métalliques, boucles ou fermetures à glissière toucher le panier en acier inoxydable.
Gargouillement ou bourdonnement	La laveuse est peut-être en train d'évacuer de l'eau.	Il est normal d'entendre la pompe produire un bourdonnement continu accompagné de gargouillements ou de bruits de pompage périodiques lorsque l'eau de fin de programme est éliminée au cours des programmes d'essorage/de vidange.
Fuites d'eau		
Vérifier ce qui suit pour que l'installation soit correcte :	Les tuyaux de remplissage ne sont pas solidement fixés.	Serrer le raccord du tuyau de remplissage.
	Rondelles d'étanchéité des tuyaux de remplissage.	Assurez-vous que les quatre rondelles d'étanchéité plates des tuyaux de remplissage d'eau sont correctement installées.
	Raccord du tuyau de vidange.	Vérifier que le tuyau d'évacuation est bien fixé au tuyau de rejet à l'égout ou à l'évier de buanderie.
	Inspecter le circuit de plomberie du domicile pour vérifier qu'il n'y a pas de fuites ou que l'évier ou le tuyau de vidange n'est pas obstrué.	De l'eau pourrait refouler de l'évier ou du tuyau de rejet à l'égout obstrué. Inspecter tout le circuit de plomberie du domicile (éviers de buanderie, tuyau de vidange, conduites d'eau et robinets) pour vérifier qu'il n'y a aucune fuite.
Eau ou mousse suintant par la porte ou par l'arrière de la caisse	Détergent HE non utilisé ou utilisation excessive de détergent HE.	Utiliser uniquement un détergent HE. La mousse produite par des détergents ordinaires peut causer des fuites au niveau de la porte ou de l'arrière de la caisse. Toujours mesurer la quantité de détergent et suivre les instructions du détergent en fonction des modalités de nettoyage de la charge.
	Porte ouverte pendant que la fonction "Add Garment" (ajouter vêtement) est activée.	De l'eau peut suinter de l'intérieur de la porte si celle-ci est ouverte après le début d'un programme.
	Résidus sur le hublot de la porte.	Nettoyer régulièrement le dessous du hublot en verre pour éviter toute fuite éventuelle.
La laveuse ne fonctionne pas comme prévu		
La charge n'est pas complètement submergée dans l'eau	Niveau d'eau non visible par la porte ou eau ne recouvrant pas les vêtements.	Ceci est normal pour une laveuse HE à chargement frontal. La laveuse détecte la taille de la charge et ajoute la quantité d'eau adéquate pour un nettoyage optimal.

DÉPANNAGE

⚠ AVERTISSEMENT



Risque de choc électrique

Brancher sur une prise à 3 alvéoles reliée à la terre.

Ne pas enlever la broche de liaison à la terre.

Ne pas utiliser un adaptateur.

Ne pas utiliser un câble de rallonge.

Le non-respect de ces instructions peut causer un décès, un incendie ou un choc électrique.

Essayer d'abord les solutions suggérées ici ou consulter le site Web www.amana.com/help pour obtenir de l'aide et pour éviter une intervention de réparation.

Si les phénomènes suivants se produisent	Causes possibles	Solution
La laveuse ne fonctionne pas comme prévu (suite)		
La laveuse ne fonctionne pas ou ne se remplit pas; elle cesse de fonctionner	Vérifier que l'alimentation en eau est correcte.	Les deux tuyaux doivent être fixés et l'eau doit pénétrer dans la valve d'arrivée.
		Les deux robinets d'eau chaude et d'eau froide doivent être ouverts.
		Vérifier que les tamis des valves d'arrivée ne sont pas obstrués.
		Vérifier que les tuyaux d'arrivée d'eau ne sont pas déformés; ceci peut réduire le débit.
	Vérifier que l'alimentation électrique à la machine est correcte.	Brancher le cordon d'alimentation dans une prise à 3 alvéoles reliée à la terre.
		Ne pas utiliser de câble de rallonge.
		Vérifier que la prise est alimentée.
		Inspecter la source de courant électrique ou appeler un électricien pour vérifier si la tension est basse.
		Remettre un disjoncteur qui serait ouvert en marche. Remplacer tout fusible grillé. REMARQUE : Si le problème persiste, appeler un électricien.
	Fonctionnement normal de la laveuse.	La porte doit être complètement fermée et verrouillée pour que la laveuse puisse fonctionner.
		Appuyer sur START/PAUSE (mise en marche/pause) pendant 1 seconde.
		La laveuse fait des pauses durant certaines phases du programme. Ne pas interrompre le programme.
La laveuse fait une pause d'environ 2 minutes au cours de certains programmes. Laisser le programme se poursuivre. Certains programmes comprennent des périodes de culbutage et de trempage.		
On peut arrêter la laveuse pour réduire la production de mousse.		
La porte de la laveuse n'est pas bien fermée.	La porte doit être fermée lorsque la laveuse est en marche.	

DÉPANNAGE

Essayer d'abord les solutions suggérées ici ou consulter le site Web www.amana.com/help pour obtenir de l'aide et pour éviter une intervention de réparation.

Si les phénomènes suivants se produisent	Causes possibles	Solution
La laveuse ne fonctionne pas comme prévu (suite)		
La laveuse ne fonctionne pas ou ne se remplit pas; elle cesse de fonctionner (suite)	La laveuse n'a pas été chargée tel que recommandé.	Retirer plusieurs articles et ré-agencer la charge dans le tambour. Fermer la porte et appuyer sur START/PAUSE (mise en marche/pause). Ne pas ajouter plus de 1 ou 2 articles supplémentaires après que le programme a commencé afin d'éviter que les vêtements ne soient pas tassés ou la charge déséquilibrée. Ne pas ajouter d'eau dans la laveuse.
	Détergent HE non utilisé ou utilisation excessive de détergent HE.	Utiliser uniquement un détergent HE. La mousse produite par des détergents ordinaires peut ralentir ou arrêter la laveuse. Toujours mesurer la quantité de détergent et suivre les instructions du fabricant en fonction des modalités de nettoyage de la charge. Pour éliminer la mousse, annuler le programme. Sélectionner RINSE & SPIN (rinçage et essorage). Appuyer sur START/PAUSE (mise en marche/pause). Ne pas ajouter de détergent.
	La porte n'a pas été ouverte entre deux programmes.	Lorsqu'un programme de lavage est terminé, la porte doit être ouverte puis refermée avant qu'un nouveau programme puisse commencer.
	La laveuse ne se vidange/n'essore pas; les charges restent mouillées	Vider les poches et utiliser des sacs à linge pour les petits articles.
Le tuyau de vidange se prolonge dans le tuyau rigide de rejet à l'égout au-delà de 4,5" (114 mm).		Vérifier que le tuyau de vidange est correctement installé. Utiliser la bride de retenue pour tuyau de vidange et la fixer solidement au tuyau rigide de rejet à l'égout ou à la cuve. Ne pas placer de ruban adhésif sur l'ouverture du système de vidange.
Le tuyau de vidange est obstrué, ou l'extrémité du tuyau de vidange se trouve à plus de 96" (2,4 m) au-dessus du plancher.		Abaisser le tuyau de vidange si l'extrémité se trouve à plus de 96" (2,4 m) au-dessus du plancher. Retirer toute obstruction du tuyau de vidange. Voir "Exigences d'installation" dans Instructions d'installation.
Le tuyau de vidange est trop serré dans le tuyau rigide de rejet à l'égout, ou est fixé au tuyau rigide de rejet à l'égout avec du ruban adhésif.		Le tuyau de vidange doit être lâche mais bien fixé. Ne pas sceller le tuyau de vidange avec du ruban adhésif. Le tuyau a besoin d'une ouverture pour l'air. Voir "Raccordement du tuyau de vidange" dans Instructions d'installation.
Utiliser des programmes comportant une vitesse d'essorage inférieure.		Les programmes avec vitesses d'essorage réduites éliminent moins d'eau que les programmes qui comportent des vitesses d'essorage supérieures. Utiliser la vitesse d'essorage/le programme recommandé approprié pour le vêtement.
La laveuse n'a pas été chargée tel que recommandé.		Des vêtements tassés ou une charge déséquilibrée empêchent la laveuse d'essorer correctement, ce qui laisse la charge plus mouillée qu'elle ne devrait l'être. Voir "Guide de programmes" pour consulter le volume de charge recommandé pour chaque programme.
La charge est peut-être déséquilibrée.		Éviter de laver un article seul. Compenser le poids d'un article seul tel qu'un tapis ou une veste par quelques articles supplémentaires pour équilibrer le tout.
Détergent HE non utilisé ou utilisation excessive de détergent HE.		Utiliser uniquement un détergent HE. Un excès de mousse causé par l'utilisation d'un détergent ordinaire ou d'un surplus de détergent peut ralentir ou arrêter la vidange ou l'essorage. Toujours mesurer le détergent et suivre les instructions du fabricant en fonction de la charge. Pour éliminer tout excès de mousse, sélectionner RINSE & SPIN (rinçage et essorage). Ne pas ajouter de détergent.
Des vêtements sont coincés entre le panier d'essorage et la cuve extérieure dans le tambour.		Faire tourner le tambour à la main pour vérifier que rien ne retient le panier d'essorage et la cuve extérieure. Déplacer la partie ouverte du tambour vers le haut et vers le bas tout en maintenant la cuve extérieure en place et déterminer s'il y a du jeu (plus de 1/4" (6,35 mm) de déplacement).

DÉPANNAGE

Essayer d'abord les solutions suggérées ici ou consulter le site Web www.amana.com/help pour obtenir de l'aide et pour éviter une intervention de réparation.

Si les phénomènes suivants se produisent	Causes possibles	Solution
La laveuse ne fonctionne pas comme prévu (suite)		
Porte verrouillée à la fin du programme de lavage	Il reste de l'eau dans la laveuse après le programme.	Sélectionner DRAIN & SPIN (vidange et essorage) pour évacuer toute eau restée dans la laveuse. La porte de la laveuse se déverrouillera à la fin de la vidange.
La porte ne se déverrouille pas.	La porte se verrouille une fois que le programme a démarré.	Si le témoin lumineux "Add Garment" (ajouter vêtement) est allumé, appuyer une fois sur START/PAUSE (mise en marche/pause). La porte se déverrouille.
L'option ou le réglage souhaité ne s'allume pas	Pour une performance optimale, tous les réglages ne sont pas disponibles sur tous les programmes et certaines options ne peuvent pas être combinées.	Consulter le "Guide de programmes" pour connaître les réglages et options possibles pour chaque programme.
Températures de lavage ou de rinçage incorrectes	Vérifier que l'alimentation en eau est correcte.	S'assurer que les tuyaux d'arrivée d'eau chaude et froide n'ont pas été inversés.
		Les deux tuyaux doivent être raccordés à la fois à la laveuse et au robinet, et la valve d'arrivée doit recevoir à la fois de l'eau chaude et de l'eau froide.
		Vérifier que les tamis des valves d'arrivée ne sont pas obstrués.
	Éliminer toute déformation des tuyaux.	
Lavage de plusieurs charges.	Votre réservoir d'eau chaude n'a peut-être pas suffisamment d'eau chaude à fournir pour le nombre de lavages à l'eau chaude ou tiède requis. Ceci est normal.	
Charge non rincée	Vérifier que l'alimentation en eau est correcte.	S'assurer que les tuyaux d'arrivée d'eau chaude et froide n'ont pas été inversés.
		Les deux tuyaux doivent être fixés et l'eau doit pénétrer dans la valve d'arrivée.
		Les robinets d'eau chaude et d'eau froide doivent être ouverts tous les deux.
		Les tamis des valves d'arrivée d'eau de la laveuse sont peut-être obstrués.
		Éliminer toute déformation du tuyau d'arrivée.
	Détergent HE non utilisé ou utilisation excessive de détergent HE.	La mousse produite par un détergent ordinaire peut empêcher la laveuse de fonctionner correctement.
Utiliser uniquement un détergent HE. Toujours mesurer la quantité de détergent et suivre les instructions du fabricant en fonction de la taille et du niveau de saleté de la charge.		
La laveuse n'a pas été chargée tel que recommandé.	Éviter de tasser le linge dans la laveuse. La laveuse ne rincera pas bien si les vêtements sont tassés. Charger la laveuse uniquement avec des articles secs. Voir "Guide de programmes" pour consulter le volume de charge recommandé pour chaque programme.	
	Utiliser le programme conçu pour les tissus à laver.	
	Si l'on souhaite ajouter des vêtements une fois que la laveuse a démarré, n'en rajouter qu'un ou deux.	
La charge est froissée, entortillée ou enchevêtrée	Les vêtements sont tassés dans la laveuse.	Ajouter les vêtements sans les tasser. Les articles doivent pouvoir se déplacer librement pour réduire le froissement et l'emmêlement. Voir "Guide de programmes" pour consulter le volume de charge recommandé pour chaque programme.
		Réduire l'emmêlement en mêlant plusieurs types d'articles dans la charge. Utiliser le programme recommandé correspondant aux types de vêtements à laver.

DÉPANNAGE

Essayer d'abord les solutions suggérées ici ou consulter le site Web www.amana.com/help pour obtenir de l'aide et pour éviter une intervention de réparation.

Si les phénomènes suivants se produisent	Causes possibles	Solution
La laveuse ne fonctionne pas comme prévu (suite)		
La charge est froissée, entortillée ou enchevêtrée (suite)	Action de lavage et/ou vitesse d'essorage trop rapide pour la charge.	Sélectionner une vitesse d'essorage plus basse. Notons que les articles seront plus mouillés que si l'on utilise une vitesse d'essorage supérieure.
	Les vêtements n'ont pas été retirés rapidement.	Décharger la laveuse dès qu'elle s'arrête.
	Le programme choisi ne correspond pas au programme qui doit être utilisé pour la charge de lavage.	Utiliser le programme Delicate (articles délicats) ou un autre programme avec basse vitesse d'essorage pour réduire le froissement.
	L'eau de lavage n'est pas suffisamment chaude pour réduire le froissement.	Si c'est sans danger pour la charge, utiliser une eau de lavage tiède ou chaude.
Ne nettoie pas, ne détache pas	La laveuse n'a pas été chargée tel que recommandé.	Ajouter les vêtements sans les tasser. Les articles doivent pouvoir se déplacer librement pour réduire le froissement et l'emmêlement. Voir "Guide de programmes" pour consulter le volume de charge recommandé pour chaque programme.
		Si l'on souhaite ajouter des vêtements une fois que la laveuse a démarré, n'en rajouter qu'un ou deux.
	Détergent HE non utilisé ou utilisation excessive de détergent HE.	Utiliser uniquement un détergent HE. Toujours mesurer la quantité de détergent et suivre les instructions du fabricant en fonction de la taille et du niveau de saleté de la charge.
		La mousse produite par un détergent non HE peut former une pellicule résiduelle.
	Eau dure ou niveau élevé de fer (rouille) dans l'eau.	Il faut peut-être installer un adoucisseur d'eau et/ou un filtre à fer.
	Une boule distributrice d'assouplissant pour tissu a été utilisée.	Les boules distributrices ne fonctionnent pas correctement avec cette laveuse. Verser un assouplissant pour tissu liquide dans le compartiment d'assouplissant pour tissu.
	Du détergent en poudre a été utilisé pour le programme à basse vitesse.	Essayer d'utiliser du détergent en liquide.
	Programme utilisé incorrect par rapport au type de tissu.	Utiliser le programme Heavy Duty (service intense) pour un nettoyage puissant.
	Les distributeurs ne sont pas utilisés.	Utiliser les distributeurs pour éviter que l'agent de blanchiment au chlore ou l'assouplissant pour tissu ne tachent les vêtements.
		Remplir les distributeurs avant de démarrer un programme.
		Éviter de les remplir excessivement.
	Les couleurs similaires ne sont pas lavées ensemble.	Laver ensemble les couleurs semblables et les retirer rapidement une fois le programme terminé pour éviter tout transfert de teinture.
	Quantité de détergent utilisée insuffisante ou eau dure.	Utiliser plus de détergent pour laver la saleté intense à l'eau froide ou dure.
Odeurs	L'entretien mensuel n'est pas effectué tel que recommandé.	Faire fonctionner le programme Clean Washer With Affresh™ (nettoyage de la laveuse avec Affresh™) une fois par mois. Voir "Nettoyage de la laveuse" dans la section Entretien de la laveuse.
		Utiliser uniquement un détergent HE. Veiller à mesurer correctement. Toujours suivre les directives du fabricant.
	Détergent HE non utilisé ou utilisation excessive de détergent HE.	La mousse produite par un détergent non HE peut provoquer une pellicule résiduelle à l'origine d'odeurs.

DÉPANNAGE

Essayer d'abord les solutions suggérées ici ou consulter le site Web www.amana.com/help pour obtenir de l'aide et pour éviter une intervention de réparation.

Si les phénomènes suivants se produisent	Causes possibles	Solution
La laveuse ne fonctionne pas comme prévu (suite)		
Odeurs (suite)	Détergent HE non utilisé ou utilisation excessive de détergent HE.	Voir la section "Nettoyage de la laveuse".
	La porte n'est pas restée ouverte après utilisation.	Cette laveuse dispose d'une fermeture étanche pour éviter les fuites d'eau. Pour éviter la formation d'odeurs, laisser la porte ouverte afin de permettre à la laveuse de sécher entre deux utilisations.
Dommages aux tissus	Des objets pointus se trouvaient dans les poches au moment du programme de lavage.	Vider les poches, fermer les fermetures à glissière, les boutons-pression et les agrafes avant le lavage pour éviter d'accrocher et de déchirer le linge.
	Les cordons et les ceintures se sont peut-être emmêlés.	Attacher tous les cordons et les ceintures avant de démarrer le lavage de la charge.
	Les articles étaient peut-être endommagés avant le lavage.	Raccommoder les déchirures et reprendre les fils cassés des coutures avant le lavage.
	Les tissus peuvent subir des dommages si l'on tasse le linge dans la laveuse.	Éviter de tasser le linge dans la laveuse. Charger la machine uniquement avec des articles secs.
		Utiliser le programme conçu pour les tissus à laver. Si l'on souhaite ajouter des vêtements une fois que la laveuse a démarré, n'en rajouter qu'un ou deux.
	Vous n'avez peut-être pas ajouté l'agent de blanchiment liquide au chlore correctement.	Ne pas verser d'agent de blanchiment liquide au chlore directement sur la charge. Essuyer tous les renversements d'agent de blanchiment.
Un agent de blanchiment non dilué endommagera les tissus. Ne pas utiliser plus que la quantité recommandée par le fabricant.		
Blancs grisâtres, couleurs défraîchies	La charge n'a pas été correctement triée.	Un transfert de teinture peut se produire lors du mélange d'articles blancs et de couleur dans une même charge. Séparer les articles de teinte foncée des articles blancs ou clairs.
	Les températures de lavage sont trop basses.	Utiliser les lavages à l'eau tiède ou chaude si celle-ci est sans danger pour la charge. S'assurer que le système d'eau chaude est adéquat pour fournir un lavage à l'eau chaude.
	Quantité de détergent utilisée insuffisante ou eau dure.	Utiliser plus de détergent pour laver la saleté intense à l'eau froide ou dure.
Fonctionnement incorrect du distributeur	Distributeurs obstrués ou produits de lessive distribués trop tôt.	Ne pas remplir excessivement le distributeur. Un remplissage excessif peut entraîner une distribution immédiate.
		Pour le nettoyage des compartiments de distribution, voir "Nettoyage du distributeur" pour plus de renseignements.
		Remplir les distributeurs avant de démarrer un programme.
		Mesurer la quantité de détergent et d'assouplissant pour tissu. Verser lentement dans les distributeurs. Essuyer tout renversement.
	L'agent de blanchiment liquide au chlore n'a pas été versé dans le compartiment d'agent de blanchiment.	Pour les domiciles présentant une basse pression d'eau, il est possible qu'il reste de la poudre dans le distributeur. Pour éviter cela, sélectionner une température de lavage plus chaude (si possible - en fonction de la charge). Utiliser seulement de l'agent de blanchiment liquide au chlore dans le compartiment d'agent de blanchiment.

DÉPANNAGE

Essayer d'abord les solutions suggérées ici ou consulter le site Web www.amana.com/help pour obtenir de l'aide et pour éviter une intervention de réparation.

Si les phénomènes suivants se produisent	Causes possibles	Solution
La laveuse ne fonctionne pas comme prévu (suite)		
Fonctionnement incorrect du distributeur (suite)	Un agent de blanchiment sans danger pour les couleurs ou des produits oxy ont été ajoutés au compartiment de produit liquide au chlore.	Ajouter l'agent de blanchiment sans danger pour les couleurs ou le produit oxy au compartiment de détergent HE ou directement dans le panier de la laveuse avant de mettre la charge dans la machine. Ne pas utiliser le distributeur d'agent de blanchiment au chlore liquide pour l'agent de blanchiment sans danger pour les couleurs ou les produits oxy.
	Il reste de l'eau dans le distributeur une fois le programme terminé.	Il est normal qu'il reste de petites quantités d'eau dans le distributeur une fois le programme terminé.
La durée du programme varie ou la durée du programme est trop longue	Fonctionnement normal de la laveuse.	Les durées de programme varient automatiquement en fonction de la pression et de la température de l'eau, du détergent et de la charge de vêtements. Les options sélectionnées affectent aussi les durées de programme indiquées dans "Guide de programmes".
	Il y a trop de mousse dans la laveuse.	Lorsqu'un excès de mousse est détecté, une procédure spéciale contre la mousse se met en marche automatiquement pour éliminer l'excès de mousse et assurer un rinçage efficace pour les vêtements. Cette procédure prolonge la durée initiale du programme.
	La charge est peut-être déséquilibrée.	En cas de déséquilibre de la charge, un processus de lavage sera lancé pour redistribuer la charge. Ceci prolonge la durée du programme. Éviter de laver un article seul. Compenser le poids d'un article seul tel qu'un tapis ou une veste par quelques articles supplémentaires pour équilibrer le tout.
	Programme utilisé incorrect par rapport au type de tissu.	La durée d'essorage est ajoutée si une charge déséquilibrée est détectée. La laveuse tentera de redistribuer la charge avec un culbutage supplémentaire.
		Le programme Delicate (articles délicats) est conçu pour les charges plus petites (3 à 5 articles) de vêtements légèrement sales. Si on lave des charges plus importantes avec ce programme, le lavage sera plus long.
Le programme Delicate (articles délicats) doit être utilisé pour des charges de petite taille. Ceci garantit un lavage en douceur des vêtements sans pour autant prolonger le programme.		

GARANTIE DES APPAREILS DE BUANDERIE AMANA®

GARANTIE LIMITÉE

Pendant un an à compter de la date d'achat, lorsque ce gros appareil ménager est utilisé et entretenu conformément aux instructions jointes à ou fournies avec le produit, Amana, une marque de Whirlpool Corporation ou Whirlpool Canada LP (ci-après désignées "Amana") paiera pour les pièces spécifiées par l'usine et la main-d'œuvre pour corriger les vices de matériaux ou de fabrication qui existaient déjà lorsque ce gros appareil ménager a été acheté. Le service doit être fourni par une compagnie de service désignée par Amana. LE SEUL ET EXCLUSIF RECOURS DU CLIENT DANS LE CADRE DE LA PRÉSENTE GARANTIE LIMITÉE CONSISTE EN LA RÉPARATION PRÉVUE CI-DESSUS. Cette garantie limitée est valide uniquement aux États-Unis ou au Canada et s'applique exclusivement lorsque le gros appareil ménager est utilisé dans le pays où il a été acheté. Une preuve de la date d'achat d'origine est exigée pour obtenir un service dans le cadre de la présente garantie limitée.

ÉLÉMENTS EXCLUS DE LA GARANTIE

La présente garantie limitée ne couvre pas :

1. Les pièces de rechange ou la main-d'œuvre lorsque ce gros appareil ménager est utilisé à des fins autres que l'usage unifamilial normal ou lorsque les instructions d'installation et/ou les instructions de l'opérateur ou de l'utilisateur fournies ne sont pas respectées.
2. Les visites de service pour rectifier l'installation du gros appareil ménager, montrer à l'utilisateur comment utiliser l'appareil, remplacer ou réparer des fusibles ou rectifier le câblage ou la plomberie du domicile.
3. Les visites de service pour réparer ou remplacer les ampoules électriques, les filtres à air ou les filtres à eau de l'appareil. Les pièces consommables ne sont pas couvertes par la garantie.
4. Les dommages imputables à : accident, modification, usage impropre ou abusif, incendie, inondation, actes de Dieu, installation fautive ou installation non conforme aux codes d'électricité ou de plomberie, ou l'utilisation de produits non approuvés par Amana.
5. Les défauts apparents, notamment les éraflures, les bosses, fissures ou tout autre dommage au fini du gros appareil ménager, à moins que ces dommages soient dus à des vices de matériaux ou de fabrication et soient signalés à Amana dans les 30 jours suivant la date d'achat.
6. L'enlèvement et la livraison. Ce gros appareil ménager est conçu pour être réparé à domicile.
7. Les réparations aux pièces ou systèmes résultant d'une modification non autorisée faite à l'appareil.
8. Les frais de déplacement et de transport pour le service d'un produit si votre gros appareil ménager est situé dans une région éloignée où un service d'entretien Amana autorisé n'est pas disponible.
9. La dépose et la réinstallation de votre gros appareil ménager si celui-ci est installé dans un endroit inaccessible ou n'est pas installé conformément aux instructions d'installation fournies par Amana.
10. Les pièces de rechange ou la main-d'œuvre pour les gros appareils ménagers dont les numéros de série et de modèle originaux ont été enlevés, modifiés ou qui ne peuvent pas être facilement identifiés.

CLAUSE D'EXONÉRATION DE RESPONSABILITÉ AU TITRE DES GARANTIES IMPLICITES

LES GARANTIES IMPLICITES, Y COMPRIS LES GARANTIES APPLICABLES DE QUALITÉ MARCHANDE OU D'APTITUDE À UN USAGE PARTICULIER, SONT LIMITÉES À UN AN OU À LA PLUS COURTE PÉRIODE AUTORISÉE PAR LA LOI. Certains États et certaines provinces ne permettent pas de limitation sur la durée de garanties implicites de qualité marchande ou d'aptitude à un usage particulier, de sorte que la limitation ci-dessus peut ne pas être applicable dans votre cas. Cette garantie vous confère des droits juridiques spécifiques, et vous pouvez également jouir d'autres droits qui peuvent varier d'une juridiction à l'autre.

LIMITATION DES RECOURS, EXCLUSION DES DOMMAGES FORTUITS OU INDIRECTS

LE SEUL ET EXCLUSIF RECOURS DU CLIENT DANS LE CADRE DE LA PRÉSENTE GARANTIE LIMITÉE CONSISTE EN LA RÉPARATION PRÉVUE CI-DESSUS. AMANA N'ASSUME AUCUNE RESPONSABILITÉ POUR LES DOMMAGES FORTUITS OU INDIRECTS. Certains États et certaines provinces ne permettent pas l'exclusion ou la limitation des dommages fortuits ou indirects de sorte que ces limitations et exclusions peuvent ne pas être applicables dans votre cas. Cette garantie vous confère des droits juridiques spécifiques, et vous pouvez également jouir d'autres droits qui peuvent varier d'une juridiction à l'autre.

Si vous résidez à l'extérieur du Canada et des 50 États des États-Unis, contactez votre marchand Amana autorisé pour déterminer si une autre garantie s'applique.

Si vous avez besoin d'un service de réparation, voir d'abord la section "Dépannage" du Guide d'utilisation et d'entretien. Si vous n'êtes pas en mesure de résoudre le problème après avoir consulté la section "Dépannage", vous pouvez trouver de l'aide supplémentaire en consultant la section "Assistance ou Service" ou en appelant Amana. Aux É.-U., composer le **1-800-843-0304**. Au Canada, composer le **1-800-807-6777**.

12/08

Conservez ce manuel et votre reçu de vente ensemble pour référence ultérieure. Pour le service sous garantie, vous devez présenter un document prouvant la date d'achat ou d'installation.

Inscrivez les renseignements suivants au sujet de votre gros appareil ménager pour mieux vous aider à obtenir assistance ou service en cas de besoin. Vous devrez connaître le numéro de modèle et le numéro de série au complet. Vous trouverez ces renseignements sur la plaque signalétique située sur le produit.

Nom du marchand _____
Adresse _____
Numéro de téléphone _____
Numéro de modèle _____
Numéro de série _____
Date d'achat _____

ASSISTANCE OR SERVICE

Before calling for assistance or service, please check "Troubleshooting" or visit www.amana.com/help. It may save you the cost of a service call. If you still need help, follow the instructions below.

When calling, please know the purchase date and the complete model and serial number of your appliance. This information will help us to better respond to your request.

If you need replacement parts or to order accessories

We recommend that you use only FSP® Factory Specified Parts. These parts will fit right and work right because they are made with the same precision used to build every new MAYTAG® appliance.

To locate FSP® replacement parts, assistance in your area, or accessories:

Maytag Services, LLC Customer Assistance
1-800-253-1301 www.amana.com/help

Whirlpool Canada LP
Customer eXperience Centre
1-800-807-6777
www.amana.com/help

or call your nearest designated service center or refer to your Yellow Pages telephone directory.

Our consultants provide assistance with

In the U.S.A.

- Features and specifications on our full line of appliances.
- Installation information.
- Specialized customer assistance (Spanish speaking, hearing impaired, limited vision, etc.).

In the U.S.A. and Canada

- Use and maintenance procedures.
- Accessory and repair parts sales.
- Referrals to local dealers, repair parts distributors, and service companies. Maytag® designated service technicians are trained to fulfill the product warranty and provide after-warranty service, anywhere in the United States and Canada.

You can write with any questions or concerns at:

Maytag Services, LLC
ATTN: CAIR® Center
P.O. Box 2370
Cleveland, TN 37320-2370

Customer eXperience Centre
Whirlpool Canada LP
Unit 200-6750 Century Ave
Mississauga, Ontario L5N 0B7

Please include a daytime phone number in your correspondence.

ASSISTANCE OU SERVICE

Avant de faire un appel pour assistance ou service, veuillez vérifier la section "Dépannage" ou consulter www.amana.com/help. Cette vérification peut vous faire économiser le coût d'une visite de réparation. Si vous avez encore besoin d'aide, suivre les instructions ci-dessous.

Lors d'un appel, veuillez connaître la date d'achat et les numéros au complet de modèle et de série de votre appareil. Ces renseignements nous aideront à mieux répondre à votre demande.

Si vous avez besoin de pièces de rechange ou pour commander des accessoires

Si vous avez besoin de commander des pièces de rechange, nous vous recommandons d'utiliser seulement des pièces spécifiées par l'usine FSP®. Ces pièces conviendront et fonctionneront bien parce qu'elles sont fabriquées selon les mêmes spécifications précises utilisées pour construire chaque nouvel appareil MAYTAG®.

Pour trouver des pièces de rechange FSP® ou des accessoires dans votre région :

Whirlpool Canada LP Centre pour l'eXpérience de la clientèle
1-800-807-6777 www.amana.com/help

Nos consultants fournissent l'assistance pour :

- Procédés d'utilisation et d'entretien.
- Vente d'accessoires et de pièces de rechange.
- Les références aux concessionnaires, compagnies de service de réparation et distributeurs de pièces de rechange locaux. Les techniciens de service désignés par Maytag® sont formés pour remplir la garantie des produits et fournir un service après la garantie, partout au Canada.

Pour plus d'assistance

Vous pouvez nous soumettre toute question ou problème en écrivant à l'adresse ci-dessous :
Centre pour l'eXpérience de la clientèle
Whirlpool Canada LP
Unit 200-6750 Century Ave
Mississauga, Ontario L5N 0B7

Dans votre correspondance, veuillez indiquer un numéro de téléphone où on peut vous joindre dans la journée.